



# HF-Regulator II for TL-D lamps

## HF-R 258 TL-D EII 220-240V 50/60Hz

High-frequency electronic dimming ballast, using the analog protocol (1-10 V) for TL-D lamps. The ballast is primarily designed for Indoor application. For outdoor application, the luminaire should be minimum Class II need to be sufficiently protected against water & dust. The installation should also be guard against any lightning surge or any other necessary electrical protection as deemed in such typical installation & application.

### Product data

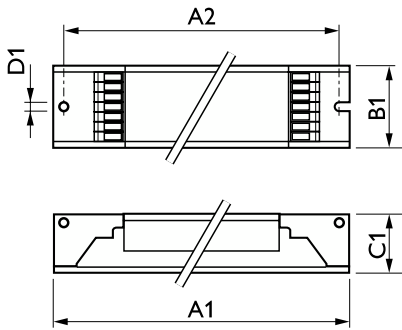
Operating and Electrical		Temperature	
Input Voltage	220 to 240 V	Ambient temperature range	10 °C to 50 °C
Line Frequency	50 to 60 Hz		
Input Frequency	50 to 60 Hz	Controls and Dimming	
Earth Leakage Current (Max)	0.5 mA	Control Interface	1-10V
Inrush Current Width	0.40 ms		
Inrush Current Peak (Max)	45 A	Mechanical and Housing	
Number of Products on MCB (16A Type B) (Nom)	12	Housing	L 360x30x21
		Approval and Application	
Wiring		Ingress protection code	IP20 [Finger-protected]
Connector Type Input Terminals	WAGO 251 universal connector [Suitable for both automatic wiring (ALF and ADS) and manual wiring]	Energy Efficiency Index	A1 BAT
Connector Type Output Terminals	WAGO 251 universal connector [Suitable for both automatic wiring (ALF and ADS) and manual wiring]	Safety Standard	IEC 61347-2-3
		Environmental Standard	ISO 14001
		Approval Marks	CE marking ENEC certificate VDE-EMV certificate
		Product Data	
		Order product name	HF-R 258 TL-D EII 220-240V 50/60Hz

## HF-Regulator II for TL-D lamps

Full product name	HF-R 258 TL-D EII 220-240V 50/60Hz
Full product code	871150091019630
Order code	913700609566
Material Nr. (12NC)	913700609566
Net Weight (Piece)	0.325 kg

EAN/UPC - Product/Case	8711500910196
Numerator - Packs per outer box	12
EAN/UPC - Case	8711500910202

### Dimensional drawing



Product	D1	C1	A1	A2	B1
HF-R 258 TL-D EII 220-240V 50/60Hz	4.2 mm	22 mm	360 mm	350 mm	30 mm

