



MASTERLine 111

MASTERLine 111 45W G53 12V 24D 1CT/6

Low-voltage halogen burner with very high energy efficiency and long lifetime thanks to IRR coating in decorative aluminum reflector equipped with ceramic anti-glare cap. Ideal solution for high-end modern luminaires, putting your objects in the spotlight. Aluminum coating prevents heat in the backlight.

PHILIPS

Product data

• General Information

Cap-Base	G53
Philips Code	14739
Bulb Shape	R111 [R 111mm]
Operating Position	UNIVERSAL [Any or Universal (U)]
Nominal Lifetime (Nom)	4000 h
Switching Cycle	16000X

• Light Technical

Beam Angle (Nom)	24 °
Luminous Flux (Rated) (Nom)	640 lm
Luminous Intensity (Max)	5300 cd
Rated Beam Angle	24 °
Correlated Color Temperature (Nom)	3000 K
Color Rendering Index (Nom)	100
LLMF At End Of Nominal Lifetime (Min)	80 %
Luminous Flux In 90° Cone (Rated)	640 lm

• Operating and Electrical

Power (Rated) (Nom)	45.0 W
Lamp Current (Nom)	3.8 A
Wattage Equivalent	75 W
Starting Time (Nom)	0.0 s
Warm Up Time To 60% Light (Nom)	instant full light

Power Factor (Nom)	1
Voltage (Nom)	12 V

• Controls and Dimming

Dimmable	Yes
----------	-----

• Approval and Application

Energy Efficiency Label (EEL)	B
Energy Consumption kWh/1000 h	48 kWh

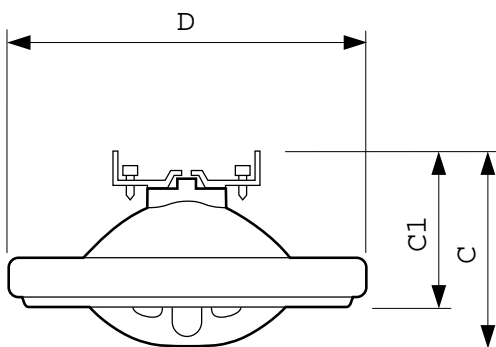
• Luminaire Design Requirements

Bulb Temperature (Max)	900 °C
Cap-Base Temperature (Max)	350 °C

• Product Data

Full product code	871150041107510
Order product name	MASTERLine 111 45W G53 12V 24D 1CT/6
EAN/UPC - Product	8711500411075
Order code	924058717161
Numerator - Quantity Per Pack	1
Numerator - Packs per outer box	6
Material Nr. (12NC)	924058717161
Net Weight (Piece)	0.054 kg

Dimensional drawing

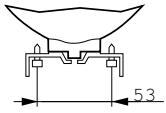


ML 111 14739 45W G53 12V 24D

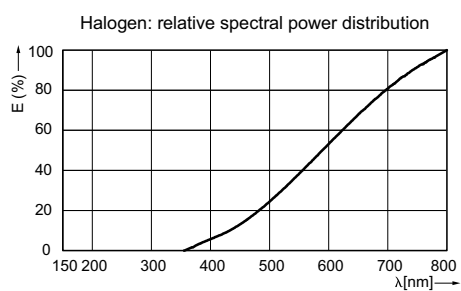
Product	D	C	C1
MASTERLine 111 45W G53 12V 24D 1CT/6	111 mm	67 mm	51 mm

G53, R111

Dimensional drawing



Photometric data



© 2016 Philips Lighting Holding B.V.
All rights reserved.

Specifications are subject to change without notice. Trademarks are the property of Koninklijke Philips N.V. (Royal Philips) or their respective owners.

www.philips.com/lighting

2016, June 23
data subject to change