

Product Information

LED STAR CLASSIC A40 frosted & clear sparkling



Product Overview

| Product | Wattage | CCT | lm | Base |
|--|---------|------|-----|------|
| LED STAR CLASSIC A40 frosted E27 | 6 | 2700 | 470 | E27 |
| LED STAR CLASSIC A40 clear sparkling E27 | 6 | 2700 | 470 | E27 |
| LED STAR CLASSIC A40 frosted E27 | 6 | 4000 | 470 | E27 |

Benefits

- LED-Lamps with a frosted bulb in the well know GLS shape; available in many colour temperatures
- The real GLS replacement – GLS inspired design!
- For all household luminaires
- Low energy consumption and maintenance costs
- Same size as non dimmable version
- True 40W incandescent replacement

Key Features

- 6W LED lamp as high-quality replacement for a 40W incandescent lamp
- Clear version with unique OSRAM patented optics
- Designed in Germany
- Available in 2700K warm white color temperature and 4000K cool white
- Energy efficiency class A+
- 15,000 hours lifetime¹
- Similar dimensions as incandescent lamp
- UV and NIR radiation free
- Mercury free
- 3 years Osram Guarantee (www.osram.com/guarantee)

| Product | Wattage | CCT | lm | Base | Diameter | Length | Weight | Viewing Angle | EAN10 | EAN40 (ship.unit) | Ship. unit |
|--|---------|------|-----|------|----------|--------|--------|---------------|---------------|-------------------|------------|
| LED STAR CLASSIC A40 frosted E27 | 6 | 2700 | 470 | E27 | 55 mm | 97 mm | 77 g | 220° | 4052899147904 | 4052899147911 | 6 |
| LED STAR CLASSIC A40 clear sparkling E27 | 6 | 2700 | 470 | E27 | 55 mm | 97 mm | 77 g | 220° | 4052899149458 | 4052899149465 | 6 |
| LED STAR CLASSIC A40 frosted E27 | 6 | 4000 | 470 | E27 | 55 mm | 97 mm | 77 g | 220° | 4052899147881 | 4052899147898 | 6 |

All the technical parameters apply to the entire lamp. In view of the complex manufacturing process for light emitting diodes, the typical values given above for the technical LED parameters are merely statistical values that do not necessarily correspond to the actual technical parameters of an individual product; individual products may vary from the typical values.

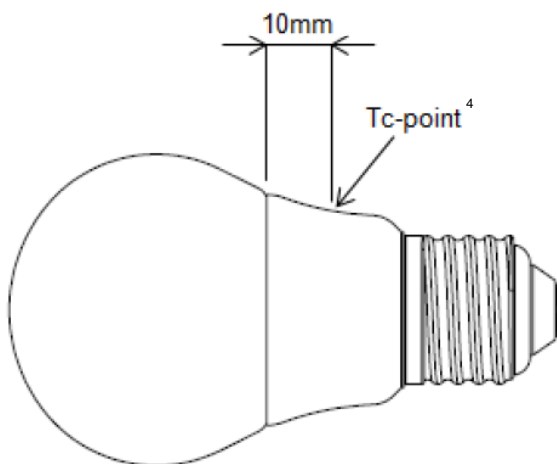
¹The average lifetime of LED lamps is defined as the number of hours when the light output of 50% of a large group of identical lamps goes below 70% of its initial luminous flux (L70B50, IEC60969). The lifetime is estimated at room temperature (25°C), free air burning, base up burning position and at rated voltage.

Product Information

LED STAR CLASSIC A40 frosted & clear sparkling

Common Characteristics²

| Average lifetime ³ | Switching cycles (30s on, 30s off) | Casing material | Starting time | Warm up time for 60% light | Power factor |
|-------------------------------|---------------------------------------|----------------------|---------------|----------------------------|--------------|
| 15,000 hrs | 100,000 | Plastic | < 0,2 s | 0.0 s | 0.5 |
| Nominal current | Max. inrush current | Tc temperature max.5 | CRI | Mercury max. | |
| 0,048 A | 7,9 A | 95°C | 80 | 0.0 mg | |



Good heat exchange supports ideal performance

Disposal information

- Lamps with WEEE sign can be returned at specific collection points.
- LED lamps have to be disposed as special waste.



² Typical values. All the technical parameters apply to the entire lamp. In view of the complex manufacturing process for light emitting diodes, the typical values given above for the technical LED parameters are merely statistical values that do not necessarily correspond to the actual technical parameters of an individual product; individual products may vary from the typical values.

³ The average lifetime of LED lamps is defined as the number of hours when the light output of 50% of a large group of identical lamps goes below 70% of its initial luminous flux (L70B50, IEC60969). The lifetime is estimated at room temperature (25°C), free air burning, base up burning position and at rated voltage.

⁴ The Tc is defined as the highest permissible temperature which may occur on the outer surface of the LED lamp (in the indicated position) under normal operating conditions and at the rated voltage/current/power or the maximum of the rated voltage/current/power range (DIN EN 62031: 2009-01)



Product Information

LED STAR CLASSIC A40 frosted & clear sparkling

Application information

- Suitable for indoor application.
- For outdoor applications and operation in damp locations special approved fixture are required.
- Input voltage: 220-240V
- Storage temperature & humidity conditions (-20°C up to +40°C, at max. 95% relative humidity)
- Operating temperature & humidity conditions (-20°C up to +40°C, at max. 95% relative humidity)

Lamp conformity

- 2004/108/EC Electromagnetic compatibility (EMC)
- 244/2009 Ecodesign requirements for non-directional household lamps
- IEC/ PAS 62612 Self ballasted LED-lamps for general lighting services – Performance requirements
- 2009/125/EC Ecodesign requirements for energy related products
- 2011/65/EC Restriction of the use of certain hazardous substances in electrical and electronic equipment (RoHS)
- 1907/2006 Registration, Evaluation, Authorisation and Restriction of Chemicals (REACH Regulation)
- 2002/96/EC Waste Electrical and Electronic Equipment Directive (WEEE)
- EN 62471 Photobiological safety of lamps and lamp systems
- EN 55015 Limits and methods of measurement of radio disturbance
- EN 61000-3-2 Electromagnetic compatibility – Limits for harmonic current emission
- EN 61000-3-3 Electromagnetic compatibility – Limitation of voltage changes, voltage fluctuations, flicker in public low voltage supply systems
- EN61547 Electromagnetic compatibility immunity requirements
- 1194/2012 Eco design requirement for directional lamps, light emitting diode lamps and related equipment (DIM II)
- IEC 62560 self-ballasted LED-lamps for general lighting services by voltage >50V – Safety specifications
- 874/2012/EU Energy labeling of electrical lamps and luminaires