



MASTERColour CDM-Rm Elite Mini



MASTERColour CDM-Rm Elite Mini 20W/830 GX10 MR16 25D

Mini, very high-efficiency Ceramic Metal Halide discharge reflector lamp producing crisp white sparkling light with high color rendering

Warnings and Safety

- Use only with electronic control gear
- Control gear must include end-of-life protection (IEC61167, IEC 62035).
- A lamp breaking is extremely unlikely to have any impact on your health. If a lamp breaks, ventilate the room for 30 minutes and remove the parts, preferably with gloves. Put them in a sealed plastic bag and take it to your local waste facilities for recycling. Do not use a vacuum cleaner.

Product data

General Information			
Cap-Base	GX10 [GX10]	Beam Angle Technical (Nom)	22 °
Operating Position	UNIVERSAL [Any or Universal (U)]	Beam Angle Technical (Max)	27.5 °
Life to 5% Failures (Nom)	9000 h	Beam Angle Technical (Min)	16.5 °
Life To 10% Failures (Nom)	10000 h	Luminous Flux (Nom)	900 lm
Life to 20% Failures (Nom)	12000 h	Luminous Flux (Rated) (Min)	900 lm
Life to 50% Failures (Nom)	15000 h	Luminous Flux (Rated) (Nom)	1000 lm
ANSI Code HID	C156/O	Luminous Intensity (Min)	3100 cd
Switching Cycle	1350X	Luminous Intensity (Nom)	4000 cd
Flux measurement reference	Narrow Cone	Beam Description	-
		Lumen Maintenance 12000 h (Nom)	75 %
		Lumen Maintenance 2000 h (Nom)	90 %
		Lumen Maintenance 4000 h (Nom)	85 %
		Chromaticity Coordinate X (Nom)	0.434
		Chromaticity Coordinate Y (Nom)	0.398
Light Technical			
Color Code	830 [CCT of 3000K]		
Beam Angle (Nom)	25 °		

MASTERColour CDM-Rm Elite Mini

Correlated Color Temperature (Nom)	3000 K
Luminous Efficacy (rated) (Nom)	50 lm/W
Color Rendering Index (Min)	81
Color Rendering Index (Nom)	84
LLMF At End Of Nominal Lifetime (Nom)	70 %
Luminous Flux in 90° Cone (Rated)	900 lm

Operating and Electrical

Power (Nom)	20.1 W
Re-Ignition Time (Min) (Max)	15 min
Warm Up Time to 60% Light (Nom)	120 s
Ignition Time (Max)	30 s
Voltage (Max)	100 V
Voltage (Min)	90 V
Voltage (Nom)	95 V

Controls and Dimming

Dimmable	No
Run-Up Time 90% (Max)	3 min

Mechanical and Housing

Bulb Shape	MR16 [2inch/50mm]
------------	--------------------

Approval and Application

Energy Efficiency Class	G
-------------------------	---

Mercury (Hg) Content (Max)	3.5 mg
Mercury (Hg) Content (Nom)	3.5 mg
Energy Consumption kWh/1000 h	21 kWh
EPREL Registration Number	473267

UV

Pet (Niosh) (Min)	8 h/500lx
Damage Factor D/fc (Max)	0.4

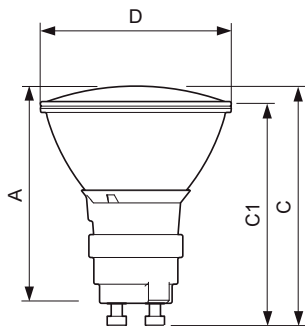
Luminaire Design Requirements

Reflector Neck Temperature (Max)	215 °C
----------------------------------	--------

Product Data

Full product code	871829120301800
Order product name	MASTERColour CDM-Rm Elite Mini 20W/830 GX10 MR16 25D
EAN/UPC - Product	8718291203018
Order code	928191105331
Numerator - Quantity Per Pack	1
Numerator - Packs per outer box	12
Material Nr. (12NC)	928191105331
Net Weight (Piece)	0.047 kg
ILCOS Code	MRS/UB-20/830-H-GX10-51/54.5/25

Dimensional drawing

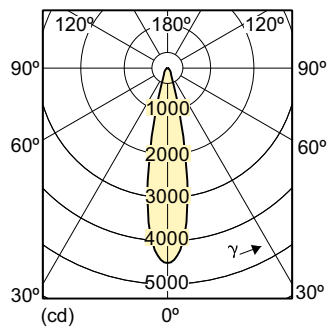


CDM-Rm 20W/830 GX10 MR16 25D

Product	D (max)	D	C (max)	C	C1 (max)	A (max)
MASTERColour CDM-Rm Elite Mini 20W/830 GX10 MR16 25D	51 mm	50 mm	65.4 mm	62.75 mm	60.9 mm	59 mm

MASTERCoulour CDM-Rm Elite Mini

Photometric data



LDLD_CDM-Rm_20W_25D_0003-Light distribution diagram

Lifetime



MASTERCcolour CDM-Rm Elite Mini

