



# MASTERCcolour CDM-T Elite

## MASTERCcolour CDM-T Elite 100W/930 G12 1CT/12

Single-ended, very high-efficiency, long-life Ceramic Metal Halide discharge lamp producing crisp white sparkling light with high color rendering

### Warnings and Safety

- Use only in totally enclosed luminaire, even during testing (IEC61167, IEC 62035, IEC60598)
- The luminaire must be able to contain hot lamp parts if the lamp ruptures
- Use only with electronic control gear. 35W & 70W lamps may also use electromagnetic gear.
- Control gear must include end-of-life protection (IEC61167, IEC 62035)
- A lamp breaking is extremely unlikely to have any impact on your health. If a lamp breaks, ventilate the room for 30 minutes and remove the parts, preferably with gloves. Put them in a sealed plastic bag and take it to your local waste facilities for recycling. Do not use a vacuum cleaner.

### Product data

General Information		Lumen Maintenance	
Cap-Base	G12 [ G12]	Lumen Maintenance 12000 h (Nom)	85 %
Operating Position	UNIVERSAL [ Any or Universal (U)]	Lumen Maintenance 10000 h (Nom)	87 %
Life to 5% Failures (Nom)	12000 h	Lumen Maintenance 2000 h (Nom)	95 %
Life To 10% Failures (Nom)	14000 h	Lumen Maintenance 4000 h (Nom)	93 %
Life to 20% Failures (Nom)	16000 h	Lumen Maintenance 5000 h (Nom)	92 %
Life to 50% Failures (Nom)	20000 h	Chromaticity Coordinate X (Nom)	0.432
ANSI Code HID	C191/E	Chromaticity Coordinate Y (Nom)	0.399
		Correlated Color Temperature (Nom)	3000 K
		Luminous Efficacy (rated) (Nom)	110 lm/W
		Color Rendering Index (Min)	89
		Color Rendering Index (Nom)	92
Light Technical		Operating and Electrical	
Color Code	930 [ CCT of 3000K]	Power (Rated) (Min)	100.0 W
Luminous Flux (Rated) (Nom)	11000 lm		
Color Designation	Warm White (WW)		
Lumen Maintenance 1000 h (Nom)	97 %		

# MASTERCcolour CDM-T Elite

Power (Nom)	100.1 W
Lamp Current Run-Up (Max)	1.8 A
Ignition Supply Voltage (Max)	198 V
Ignition Peak Voltage (Max)	4500 V
Ignition Supply Voltage (Min)	198 V
Re-Ignition Time (Min) (Max)	15 min
Ignition Time (Max)	30 s
Voltage (Max)	94 V
Voltage (Min)	82 V
Voltage (Nom)	88 V

## Controls and Dimming

Dimmable	No
Run-Up Time 90% (Max)	3 min

## Mechanical and Housing

Bulb Finish	Clear
-------------	-------

## Approval and Application

Energy Efficiency Label (EEL)	A+
Mercury (Hg) Content (Nom)	10.1 mg
Energy Consumption kWh/1000 h	110 kWh

## UV

Pet (Niosh) (Min)	8 h/500lx
Damage Factor D/fc (Max)	0.2

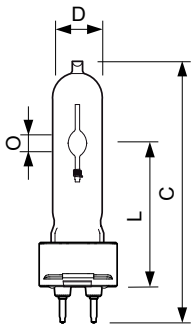
## Luminaire Design Requirements

Bulb Temperature (Max)	550 °C
Cap-Base Temperature (Max)	250 °C
Pinch Temperature (Max)	350 °C

## Product Data

Full product code	872790087169200
Order product name	MASTERCcolour CDM-T Elite 100W/930 G12 1CT/12
EAN/UPC - Product	8727900871692
Order code	928183205125
Numerator - Quantity Per Pack	1
Numerator - Packs per outer box	12
Material Nr. (12NC)	928183205125
Net Weight (Piece)	0.030 kg
ILCOS Code	MT/UB-100/930-H-G12-21/100

## Dimensional drawing

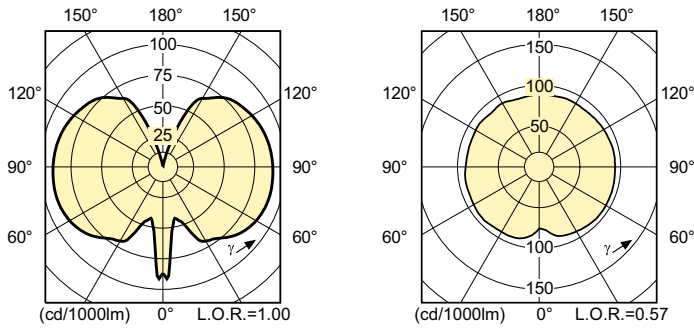


CDM-T Elite 100W/930 G12

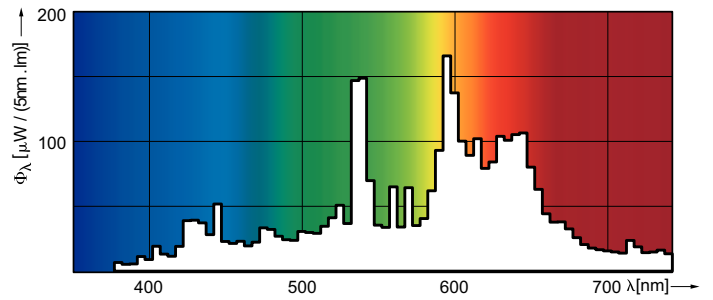
Product	D (max)	O	L (min)	L (max)	L	C (max)
MASTERCcolour CDM-T Elite 100W/930 G12 1CT/12	20 mm	8.5 mm	55 mm	57 mm	56 mm	110 mm

# MASTERCoulour CDM-T Elite

## Photometric data

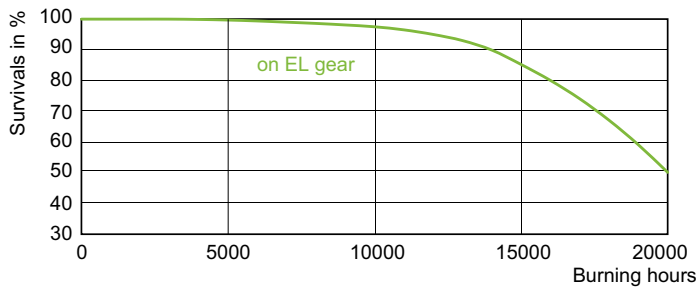


LDLD\_CDM-T-E\_0006-Light distribution diagram



LDPO\_CDM-T-E\_100W\_930-Spectral power distribution Colour

## Lifetime



LDLE\_CDM-T-E\_0006-Life expectancy diagram

