



MASTER CosmoWhite CPO-TW & CPO-TW Xtra

MASTER CosmoWhite CPO-TW Xtra 60W/728 PGZ12

New-generation ceramic metal halide lamps used in Outdoor offering efficient and pleasant white light

Product data

| General Information | |
|----------------------------|-----------------------------------|
| Cap-Base | PGZ12 [PGZ12] |
| Operating Position | UNIVERSAL [Any or Universal (U)] |
| Life to 5% Failures (Nom) | 21500 h |
| Life To 10% Failures (Nom) | 24000 h |
| Life to 20% Failures (Nom) | 27000 h |
| Life to 50% Failures (Nom) | 32000 h |
| ANSI Code HID | C187/E |
| LSF 2000 h Rated | 99 % |
| LSF 4000 h Rated | 99 % |
| LSF 6000 h Rated | 99 % |
| LSF 8000 h Rated | 99 % |
| LSF 12000 h Rated | 99 % |
| LSF 16000 h Rated | 99 % |
| LSF 20000 h Rated | 97 % |
| LSF 24000 h Rated | 90 % |
| LSF 30000 h Rated | 63 % |

| Light Technical | |
|---------------------------------|---------------------|
| Color Code | 728 [CCT of 2800K] |
| Luminous Flux (Rated) (Nom) | 7200 lm |
| Color Designation | White (WH) |
| Chromaticity Coordinate X (Nom) | 453 |
| Chromaticity Coordinate Y (Nom) | 405 |
| Luminous Efficacy (rated) (Nom) | 120 lm/W |
| Color Rendering Index (Min) | 70 |
| Color Rendering Index (Nom) | 73 |
| LLMF 2000 h Rated | 92 % |
| LLMF 4000 h Rated | 90 % |
| LLMF 6000 h Rated | 90 % |
| LLMF 8000 h Rated | 90 % |
| LLMF 12000 h Rated | 89 % |
| LLMF 16000 h Rated | 87 % |
| LLMF 20000 h Rated | 86 % |
| LLMF 24000 h Rated | 84 % |
| LLMF 30000 h Rated | 82 % |

MASTER CosmoWhite CPO-TW & CPO-TW Xtra

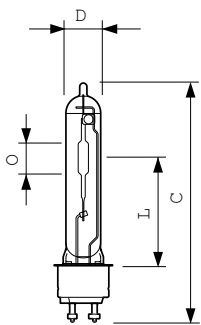
| | |
|---------------------------------|--------|
| Ratio Scotopic/Photopic Lumens | 1.15 |
| Operating and Electrical | |
| Power (Rated) (Nom) | 60.0 W |
| Ignition Peak Voltage (Max) | 5000 V |
| Re-Ignition Time (Min) (Max) | 900 s |
| Ignition Time (Max) | 30 s |
| Voltage (Max) | 99 V |
| Voltage (Min) | 85 V |
| Voltage (Nom) | 92 V |
| Controls and Dimming | |
| Dimmable | Yes |
| Run-Up Time 90% (Max) | 3 min |
| Mechanical and Housing | |
| Bulb Finish | Clear |
| Approval and Application | |
| Energy Efficiency Label (EEL) | A+ |
| Mercury (Hg) Content (Nom) | 2.0 mg |
| Energy Consumption kWh/1000 h | 66 kWh |

| | |
|--------------------------------------|---|
| UV | |
| Pet (Niosh) (Min) | 8 h/500lx |
| Pet (Niosh) (Nom) | 19 h/500lx |
| Damage Factor D/fc (Nom) | 0.17 |
| Luminaire Design Requirements | |
| Bulb Temperature (Max) | 400 °C |
| Cap-Base Temperature (Max) | 300 °C |
| Product Data | |
| Full product code | 871150020851415 |
| Order product name | MASTER CosmoWhite CPO-TW Xtra 60W/728 PGZ12 |
| EAN/UPC - Product | 8711500208514 |
| Order code | 928088505127 |
| Numerator - Quantity Per Pack | 1 |
| Numerator - Packs per outer box | 12 |
| Material Nr. (12NC) | 928088505127 |
| Net Weight (Piece) | 0.034 kg |
| ILCOS Code | MT-60/728-H-PGZ12-20/132 |

Warnings and Safety

- Use only in totally enclosed luminaire, even during testing (IEC61167, IEC 62035, IEC60598)
- The luminaire must be able to contain hot lamp parts if the lamp ruptures
- Use only with electronic control gear
- Control gear must include end-of-life protection (IEC61167, IEC 62035)
- A lamp breaking is extremely unlikely to have any impact on your health. If a lamp breaks, ventilate the room for 30 minutes and remove the parts, preferably with gloves. Put them in a sealed plastic bag and take it to your local waste facilities for recycling. Do not use a vacuum cleaner.

Dimensional drawing

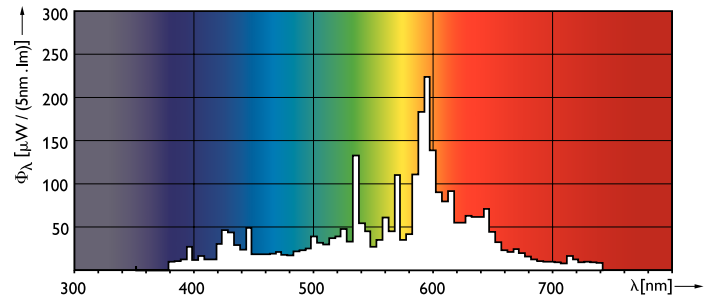
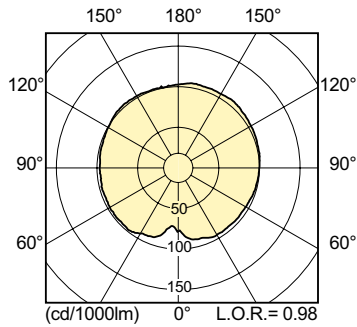


CPO-TW Xtra 60W/728 PGZ12

| Product | D (max) | D | O | L | C (max) |
|---|---------|-------|-------|-------|---------|
| MASTER CosmoWhite CPO-TW Xtra 60W/728 PGZ12 | 20 mm | 19 mm | 14 mm | 59 mm | 132 mm |

MASTER CosmoWhite CPO-TW & CPO-TW Xtra

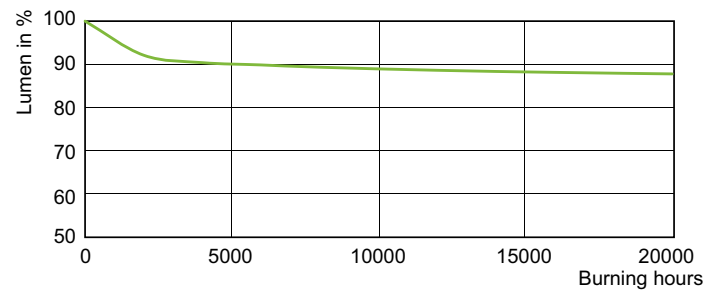
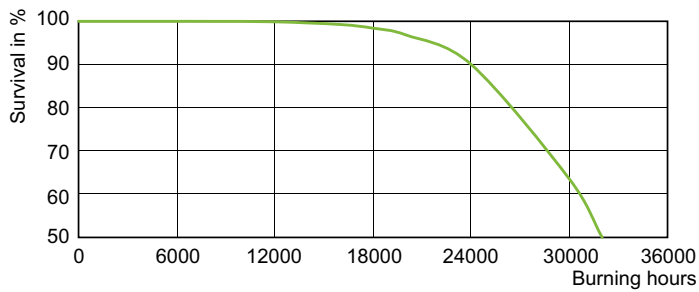
Photometric data



CPO-TW 60W

MASTER CosmoWhite CPO-TW Xtra 60W /728

Lifetime



CPO-TW Xtra Life Expectancy 45 W /628, 60 W /728

CPO-TW Xtra 60 W Lumen Maintenance /728

