



# MASTER CityWhite CDO-TT

## MASTER CityWhite CDO-TT Plus 70W/942 E27

Ceramic metal halide lamp with clear tubular outer bulb shape, used in outdoor offering pleasant white light

### Product data

General Information	
Cap-Base	E27 [ E27]
Operating Position	UNIVERSAL [ Any or Universal (U)]
Life to 5% Failures (Nom)	6000 h
Life To 10% Failures (Nom)	8000 h
Life to 20% Failures (Nom)	12000 h
Life to 50% Failures (Nom)	20000 h
LSF 2000 h Rated	99 %
LSF 4000 h Rated	98 %
LSF 6000 h Rated	95 %
LSF 8000 h Rated	91 %
LSF 12000 h Rated	80 %
LSF 16000 h Rated	65 %
LSF 20000 h Rated	50 %
Light Technical	
Color Code	942 [ CCT of 4200K]
Luminous Flux (Rated) (Nom)	7300 lm
Color Designation	Cool White (CW)
Chromaticity Coordinate X (Nom)	363
Chromaticity Coordinate Y (Nom)	365
Correlated Color Temperature (Nom)	4200 K

Luminous Efficacy (rated) (Nom)	100 lm/W
Color Rendering Index (Nom)	90
LLMF 2000 h Rated	92 %
LLMF 4000 h Rated	87 %
LLMF 6000 h Rated	84 %
LLMF 8000 h Rated	83 %
LLMF 12000 h Rated	80 %
LLMF 16000 h Rated	75 %
LLMF 20000 h Rated	70 %
Ratio Scotopic/Photopic Lumens	1.86

Operating and Electrical	
Power (Nom)	73.0 W
Lamp Current (EM) (Nom)	0.795 A
Ignition Supply Voltage (Min)	198 V
Re-Ignition Time (Min) (Max)	720 s
Ignition Time (Max)	30 s
Voltage (Nom)	93 V

Controls and Dimming	
Dimmable	Yes

# MASTER CityWhite CDO-TT

Run-Up Time 90% (Max)	4 min
-----------------------	-------

## Mechanical and Housing

Bulb Finish	Clear
-------------	-------

## Approval and Application

Energy Efficiency Label (EEL)	A+
Mercury (Hg) Content (Nom)	6.6 mg
Energy Consumption kWh/1000 h	80 kWh

## UV

Pet (Niosh) (Min)	8 h/500lx
Damage Factor D/fc (Max)	0.6

## Luminaire Design Requirements

Bulb Temperature (Max)	350 °C
------------------------	--------

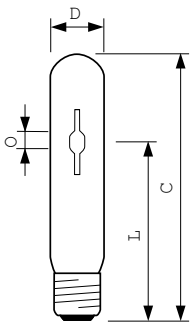
Cap-Base Temperature (Max)	200 °C
----------------------------	--------

## Product Data

Full product code	871869659679100
Order product name	MASTER CityWhite CDO-TT Plus 70W/942 E27
EAN/UPC - Product	8718696596791
Order code	928082619230
Numerator - Quantity Per Pack	1
Numerator - Packs per outer box	12
Material Nr. (12NC)	928082619230
Net Weight (Piece)	48.000 g
ILCOS Code	MT-70/942-H-E27-39/156

## Warnings and Safety

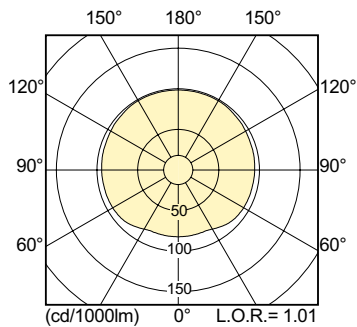
## Dimensional drawing



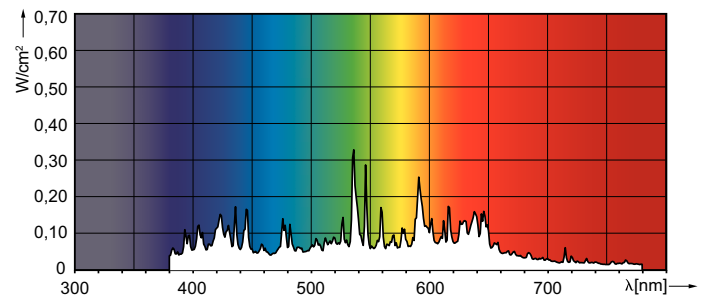
CDO-TT Plus 70W/942 E27

Product	D (max)	O	L	C (max)
MASTER CityWhite CDO-TT Plus 70W/942 E27	36 mm	7.75 mm	102 mm	156 mm

## Photometric data



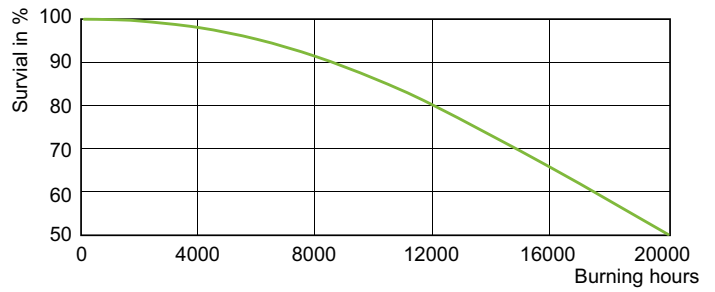
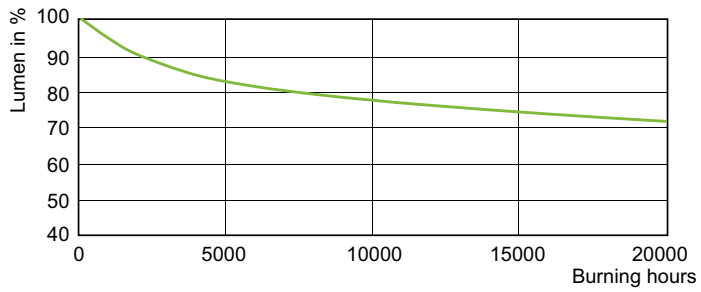
HID, CDO-TT Plus 70W /942 E27



HID, CDO-TT Plus 70W /942 E27

# MASTER CityWhite CDO-TT

## Lifetime



HID, CDO-TT Plus 70W, 150W /942

HID, CDO-TT Plus 70W, 150W /942

