



HF-Regulator Intelligent Touch DALI for PL-T/C and TL5C

HF-Ri TD 1 26-42 PL-T/C E+

Intelligent high-frequency electronic dimming ballast, using DALI (Digital Addressable Lighting Interface according to IEC62386) or Touch and Dim push-button protocol for fluorescent lamps. Features Corridor Mode, programmable with Philips MultiOne. High-frequency operation improves light quality and lamp lifetime. Pre-empting upcoming legislation as it meets A1BAT requirements. The ballast is primarily designed for Indoor application. For outdoor application, the luminaire should be minimum Class II need to be sufficiently protected against water & dust. The installation should also be guard against any lightning surge or any other necessary electrical protection as deemed in such typical installation & application.

Product data

General Information			
Application Code	E+	Crestfactor (Max)	1.7
Type Version	-	Power Factor 100% Load (Nom)	0.95
Lamp Type	PL-T/C	Ignition Time (Max)	1 s
Number of Lamps	1 piece/unit	Mains Voltage Performance (AC)	-8%~+6%
Number of Products on MCB (16A Type B) (Nom)	28	Mains Voltage Safety (AC)	-10%~+10%
Automatic Restart	Yes	Earth Leakage Current (Max)	0.5 mA
		Inrush Current Width	0.35 ms
		Standby Power Consumption (Max)	0.27 W
		Ballast Factor (Nom)	1
		Power Losses (Nom)	2.7 W
		Inrush Current Peak (Max)	27 A
Operating and Electrical			
Input Voltage	195-240 V		
Input Frequency	50 to 60 Hz		
Ignition Method	Warm Start		

HF-Regulator Intelligent Touch DALI for PL-T/C and TL5C

Wiring	
Connector Type Input Terminals	WAGO 250 series
Cable Capacity Output Wires Mutual (Max)	150 pF
Connector Type Output Terminals	WAGO 250 series
Connector Type Control Input Terminals	WAGO 250 series
Wire Striplength	8.0-9.0 mm
Dual Fixture Master/Slave	Yes [Master/Slave operation possible]
Control Input Terminal Cross Section	0.50-1.50 mm ²
Input Terminal Cross Section	0.50-1.50 mm ²
Output Terminal Cross Section	0.50-1.50 mm ²
Auto Insert (ALF/ADS) Wire Cross Section	0.50-1.50 mm ²
Cable Capacity Output Wires to Earth (Max)	150 pF

System characteristics

Rated Ballast-Lamp Power	26-42 W
Rated Lamp Power on PL-T/C	26 W
Rated Lamp Power on PL-T	32/42 W
Rated Lamp Power on TL5C	22/40 W
System Power on PL-T/C	27.7 W
System Power on PL-T	33.9/44.1 W
System Power on TL5C	25.7/41.5 W
Power Loss on PL-T/C	2.7 W
Power Loss on PL-T	2.9/3.1 W
Power Loss on TL5C	2.7/3.0 W
Lamp Power on TL5C	23/38.5 W
Lamp Power on PL-T	31/41 W
Lamp Power on PL-T/C	25 W

Temperature

T-Ambient (Max)	50 °C
T-Ambient (Min)	-25 °C
T-Storage (Max)	80 °C
T-Storage (Min)	-40 °C
T-Case Lifetime (Max)	75 °C
T-Case Maximum (Max)	75 °C
T-Ignition (Max)	50 °C
T-Ignition (Min)	-25 °C

Controls and Dimming

Control Interface	TD
-------------------	----

Regulating Level Power	3%-100%
Control Input Protection	Yes (Basic insulation)

Mechanical and Housing

Housing	L 123x79x33
---------	-------------

Approval and Application

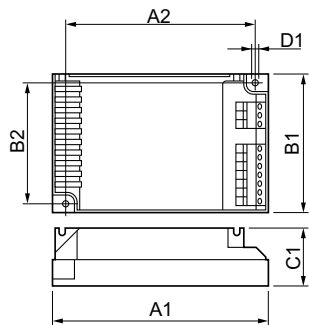
Energy Efficiency Index	A1 BAT
IP Classification	IP 20 [Ingress Protection 20]
EMI 9 kHz ... 30 MHz	EN55015
EMI 30 MHz ... 1000 MHz	EN 55022 Class B
Safety Standard	IEC 61347-2-3
Performance Standard	IEC 60929
Quality Standard	ISO 9000:2000
Environmental Standard	ISO 14001
Harmonic Current Emission Standard	IEC 61000-3-2
EMC Immunity Standard	IEC 61547
Vibration Standard	IEC68-2-6 F c
Bumps Standard	IEC 68-2-29 Eb
Humidity Standard	EN 61347-2-3 clause 11
Approval Marks	EMC CE marking ENEC certificate CCC certificate
Temperature Marking	Yes
Emergency Standard	IEC 60598-2-22
Hum And Noise Level	Inaudible

Product Data

Full product code	871829124167600
Order product name	HF-Ri TD 1 26-42 PL-T/C E+
EAN/UPC - Product	8718291241676
Order code	913700684766
Numerator - Quantity Per Pack	1
Numerator - Packs per outer box	12
Material Nr. (12NC)	913700684766
Net Weight (Piece)	0.200 kg

HF-Regulator Intelligent Touch DALI for PL-T/C and TL5C

Dimensional drawing



Product

HF-Ri TD 1 26-42 PL-T/C E+

HF-Ri TD 1 26-42 PL-T/C E+

