



PrimaVision Compact for CDM

HID-PV C 35 /S CDM 220-240V 50/60Hz NG

High-quality, compact and lightweight HID electronic gear for optimal and reliable performance of 20, 35, 50 and 70 W CDM lamps

Product data

| General Information | | Inrush Current Peak (Max) | |
|--|--------------|--|---------------------------|
| Type Version | ng | 26 A | |
| Lamp Type | CDM | Wiring | |
| Number of Lamps | 1 piece/unit | Cable Capacity Output Wires Mutual (Nom) | 100 pF |
| Suitable For Outdoor Use | No | Cable Length From Device to Lamp | 1.5 m |
| Number of Products on MCB (16A Type B) (Nom) | 24 | Ballast Contact Wire Cross Section | 0.50-2.50 mm ² |
| Automatic Restart | Yes | Connector Type | Insert |
| Operating and Electrical | | System characteristics | |
| Input Voltage | 220 to 240 V | Rated Ballast-Lamp Power | 35 W |
| Input Frequency | 50 to 60 Hz | Temperature | |
| Operating Frequency (Nom) | 0.14 kHz | T-Ambient (Max) | 55 °C |
| Power Factor 100% Load (Nom) | 0.95 | T-Ambient (Min) | -20 °C |
| Ignition Voltage (Max) | 4.0 kV | T-Storage (Max) | 80 °C |
| Ignition Switch-Off Time (Nom) | 18 min | T-Storage (Min) | -25 °C |
| Mains Voltage Performance (AC) | -10%+6% | T-Case Lifetime (Nom) | 80 °C |
| Mains Voltage Safety (AC) | -18%+10% | T-Case Maximum (Max) | 80 °C |
| Inrush Current Width | 0.25 ms | Mechanical and Housing | |
| Constant Wattage Deviation | -3%/+3% | Housing | /S |
| Power Losses (Nom) | 4.5 W | | |

PrimaVision Compact for CDM

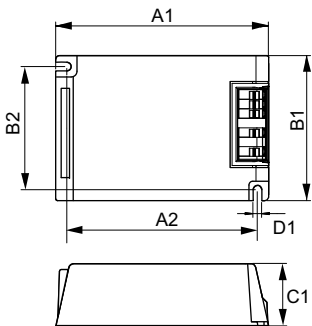
Approval and Application

| | |
|------------------------------------|-----------------------------|
| Active Temperature Protection | Yes |
| EMI 9 kHz ... 300 MHz | CISPR 15 ed 7.2 |
| Safety Standard | EN 61347-2-12 |
| Quality Standard | ISO 9000:2000 |
| Environmental Standard | ISO 14001 |
| Harmonic Current Emission Standard | EN 61000-3-2 |
| EMC Immunity Standard | EN 61547 |
| Vibration Standard | IEC68-2-6 F c |
| Bumps Standard | IEC 68-2-29 Eb |
| Humidity Standard | IEC 928-13 |
| Approval Marks | CE marking ENEC certificate |
| Hum And Noise Level | 37 dB(A) |

Product Data

| | |
|---------------------------------|---|
| Full product code | 872790085962100 |
| Order product name | HID-PV C 35 /S CDM 220-240V 50/60Hz NG |
| EAN/UPC - Product | 8711500881687 |
| Order code | 913700652766 |
| Numerator - Quantity Per Pack | 1 |
| Numerator - Packs per outer box | 12 |
| Material Nr. (12NC) | 913700652766 |
| Net Weight (Piece) | 0.216 kg |

Dimensional drawing



HID-PV C 35 /S CDM 220-240V 50/60Hz NG

Product

HID-PV C 35 /S CDM 220-240V 50/60Hz NG

