



HF-Regulator II for PL-T/C

HF-R 2 26-42 PL-T/C EII 220-240V 50/60Hz

Compact, high-frequency electronic dimming ballast, using the analog protocol (1-10 V) for PL-T, PL-C and PL-R lamps; The ballast is primarily designed for Indoor application. For outdoor application, the luminaire should be minimum Class II need to be sufficiently protected against water & dust. The installation should also be guard against any lightning surge or any other necessary electrical protection as deemed in such typical installation & application.

Product data

General Information		Mains Voltage Safety (AC)	
Application Code	EII		-10%~+10%
Type Version	mk3	Earth Leakage Current (Max)	0.5 mA
Lamp Type	PL-T/C	Inrush Current Width	0.35 ms
Number of Lamps	2 piece/unit	Constant Wattage Deviation	-2%/+2%
Number of Products on MCB (16A Type B) (Nom)	12	Ballast Factor (Nom)	0.99
Automatic Restart	Yes	Power Losses (Nom)	6.5-7.5 W
		Inrush Current Peak (Max)	45 A
Operating and Electrical		Wiring	
Input Voltage	220 to 240 V	Connector Type Input Terminals	Insert
Input Frequency	50 to 60 Hz	Cable Capacity Output Wires Mutual (Nom)	30 pF
Operating Frequency (Max)	100 kHz	Connector Type Output Terminals	Insert
Operating Frequency (Min)	40 kHz	Connector Type Control Input Terminals	Insert
Ignition Method	Programmed Start	Wire Striplength	7.5-8.5 mm
Crestfactor (Max)	1.7	Dual Fixture Master/Slave	Not advisable [Master/Slave operation not advised]
Power Factor 100% Load (Nom)	0.95	Control Input Terminal Cross Section	0.50-1.50 mm ²
Ignition Time (Max)	1.5 s	Input Terminal Cross Section	0.50-1.50 mm ²
Mains Voltage Performance (AC)	-8%~+6%	Output Terminal Cross Section	0.50-1.50 mm ²

HF-Regulator II for PL-T/C

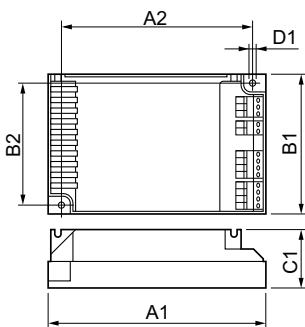
Cable Capacity Output Wires to Earth (Nom)	75 pF
System characteristics	
Rated Ballast-Lamp Power	26-42 W
Temperature	
T-Ambient (Max)	50 °C
T-Ambient (Min)	-20 °C
T-Storage (Max)	80 °C
T-Storage (Min)	-25 °C
T-Case Lifetime (Nom)	65 °C
T-Case Maximum (Max)	75 °C
Stable Lamp Operation Temperature	Not Specified
T-Ignition (Max)	50 °C
T-Ignition (Min)	0 °C
Controls and Dimming	
Control Interface	1-10V
Regulating Level Power	1%-100%
Control Input Protection	Yes (Basic insulation)
Mechanical and Housing	
Housing	S 123x79x33
Emergency Operation	
Battery Voltage Lamp Ignition	198-254 V
Battery Voltage Lamp Operation	176-254
Approval and Application	
Energy Efficiency Index	A1 BAT

IP Classification	IP 20 [Ingress Protection 20]
EMI 9 kHz ... 30 MHz	EN55015
EMI 30 MHz ... 1000 MHz	EN55022 level B
Safety Standard	IEC 61347-2-3
Performance Standard	IEC 60929
Quality Standard	ISO 9000:2000
Environmental Standard	ISO 14001
Harmonic Current Emission Standard	IEC 61000-3-2
EMC Immunity Standard	IEC 61547
Vibration Standard	IEC68-2-6 F c
Bumps Standard	IEC 68-2-29 Eb
Humidity Standard	EN 61347-2-3 clause 11
Approval Marks	CE marking ENEC certificate VDE-EMV certificate
Temperature Marking	Yes
Emergency Standard	IEC 60598-2-22
Hum And Noise Level	Inaudible

Product Data

Full product code	872790080972500
Order product name	HF-R 2 26-42 PL-T/C EII 220-240V 50/60Hz
EAN/UPC - Product	8711500880758
Order code	913700626566
Numerator - Quantity Per Pack	1
Numerator - Packs per outer box	12
Material Nr. (12NC)	913700626566
Net Weight (Piece)	0.230 kg

Dimensional drawing



HF-R 2 26-42 PL-T/C EII 220-240V 50/60Hz

Product

HF-R 2 26-42 PL-T/C EII 220-240V 50/60Hz

HF-Regulator II for PL-T/C

