

HF-Performer TL5 Circular

HF-P 155 TL5C 220-240V 50/60Hz

Compact, square, lightweight, High Frequency electronic ballasts for TL5 Circular lamps

Product data

General Information	
Type Version	mk1
Lamp Type	TL5C
Number Of Lamps	1 piece/unit
Number Of Products On MCB (16A Type B) (Nom)	28
Automatic Restart	Yes
Operating and Electrical	
Input Voltage	220 to 240 V
Input Frequency	50 to 60 Hz
Operating Frequency (Max)	- kHz
Operating Frequency (Min)	- kHz
Operating Frequency (Nom)	45 kHz
Ignition Method	Warm Start
Crestfactor (Max)	1.7
Power Factor 100% Load (Nom)	0.94
Ignition Time (Max)	1.6 s
Mains Voltage Performance (AC)	-8%+6%
Mains Voltage Safety (AC)	-10%+10%
Earth Leakage Current (Nom)	0.5 mA
Inrush Current Width	0.17 ms
Constant Wattage Deviation	-2%/+2%

Power Losses (Nom)	4.0 W
Inrush Current Peak (Max)	20 A

Wiring	
Connector Type Input Terminals	Insert
Cable Capacity Output Wires Mutual (Nom)	120 pF
Connector Type Output Terminals	Insert
Wire Striplength	11.0 mm
Dual Fixture Master/Slave	Not applicable [Master/Slave oper. not applicable]
Input Terminal Cross Section	0.75-1.50 mm ²
Output Terminal Cross Section	0.75-1.50 mm ²
Cable Capacity Output Wires To Earth (Nom)	60 pF

System characteristics	
Rated Ballast-Lamp Power	55 W

Temperature	
T-Ambient (Max)	50 °C
T-Ambient (Min)	-20 °C
T-Case Lifetime (Nom)	70 °C

HF-Performer TL5 Circular

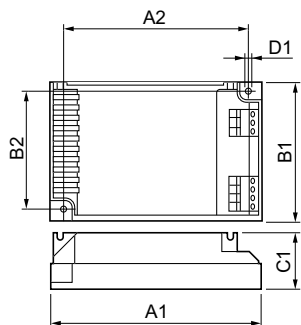
T-Case Maximum (Max)	70 °C
Mechanical and Housing	
Housing	S 103x67x30
Emergency Operation	
Battery Voltage Lamp Ignition	176-276 V
Battery Voltage Lamp Operation	176-276
Approval and Application	
Energy Efficiency Index	A3
EMI 9 kHz ... 30 MHz	EN55015
EMI 30 MHz ... 1000 MHz	EN55022 level A
Safety Standard	IEC 61347-2-3
Performance Standard	IEC 60929
Quality Standard	ISO 9000:2000
Environmental Standard	ISO 14001
Harmonic Current Emission Standard	IEC 61000-3-2
EMC Immunity Standard	IEC 61547
Vibration Standard	IEC68-2-6 F c

Bumps Standard	IEC 68-2-29 Eb
Humidity Standard	EN 61347-2-3 clause 11
Approval Marks	CE marking ENEC certificate VDE-EMV certificate
Temperature Marking	Not specified
Emergency Standard	IEC 60598-2-22
Hum And Noise Level	Inaudible

Product Data

Full product code	871150092776730
Order product name	HF-P 155 TL5C 220-240V 50/60Hz
EAN/UPC - Product	8711500927767
Order code	913700163891
Numerator - Quantity Per Pack	1
Numerator - Packs per outer box	36
Material Nr. (12NC)	913700163891
Net Weight (Piece)	0.154 kg

Dimensional drawing



HF-P 155 TL5C 220-240V 50/60Hz

Product	D1	C1	A1	A2	B1	B2
HF-P 155 TL5C 220-240V 50/60Hz	4.5 mm	30.0 mm	103.0 mm	93.5 mm	67.0 mm	57.5 mm

