



# CorePro LEDspot LV

## CoreProLEDspotLV ND 4.7-35W 840 MR16 36D

CorePro LEDspots are a perfect fit for spot lighting and deliver warm halogen-like light. They are compatible with most existing fixtures with MR16 GU5.3 holders and are designed as a retrofit replacement for halogen or incandescent spots. LEDlamps deliver huge energy savings and minimize maintenance cost.

### Product data

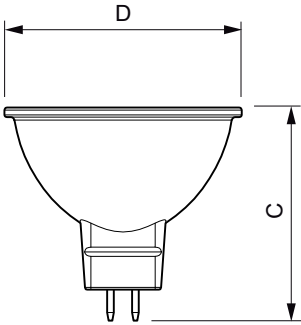
General Information		Lamp Current (Nom)	580 mA
Cap-Base	GU5.3 [ GU5.3]	Wattage Equivalent	35 W
Bulb Shape	MR16 [ 2inch/50mm]	Starting Time (Nom)	0.5 s
Nominal Lifetime (Nom)	15000 h	Warm Up Time To 60% Light (Nom)	1 s
Switching Cycle	50000X	Power Factor (Nom)	0.5
Technical Type	4.7-35W	Voltage (Nom)	12 V
Light Technical		Temperature	
Color Code	840 [ CCT of 4000K (841)]	T-Case Maximum (Nom)	76 °C
Beam Angle (Nom)	36 °	Controls and Dimming	
Luminous Intensity (Nom)	900 cd	Dimmable	No
Color Designation	Cool White (CW)	Approval and Application	
Rated Beam Angle	36 °	Energy Saving Product	Yes
Correlated Color Temperature (Nom)	4000 K	Suitable For Accent Lighting	Yes
Luminous Efficacy (rated) (Nom)	84.04 lm/W	Energy Efficiency Label (EEL)	A+
Color Consistency	<6	Energy Consumption kWh/1000 h	6 kWh
Color Rendering Index (Nom)	80	Product Data	
LLMF At End Of Nominal Lifetime (Nom)	70 %	Full product code	871869657945900
Luminous Flux In 90° Cone (Rated)	395 lm	Order product name	CoreProLEDspotLV ND 4.7-35W 840 MR16 36D
Operating and Electrical			
Power (Rated) (Nom)	4.7 W		

# CorePro LEDspot LV

EAN/UPC - Product	8718696579459
Order code	929001240402
Numerator - Quantity Per Pack	1
Numerator - Packs per outer box	10

Material Nr. (12NC)	929001240402
Net Weight (Piece)	0.045 kg

## Dimensional drawing

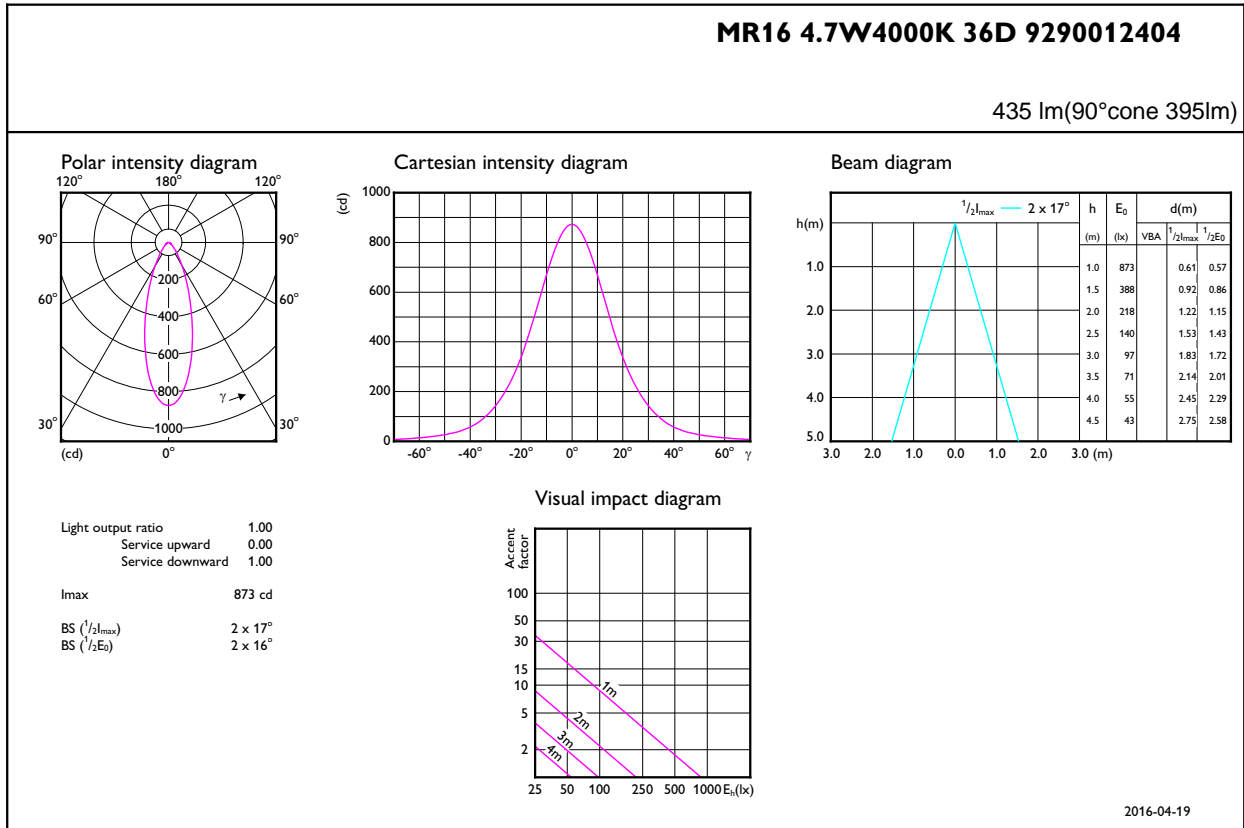


MR16 12V 5W-35W 380lm 36D 4000K GU5.3 ND

Product	D	C
---------	---	---

Photometric data

Accent Lighting - Spots



2016-04-19

