



MASTERColour CDM-R111 Elite

MASTERC CDM-R111 Elite 35W/930 GX8.5 24D

MASTERColour CDM-R111 Elite combines the trendy look of 111 mm aluminum-reflector halogen lamps with the long life, high energy efficiency and crisp white light of MASTERColour CDM.

Product data

• General Information

Cap-Base	GX8.5 [GX8.5]
Operating Position	UNIVERSAL [Any or Universal (U)]
Life To 5% Failures (Nom)	8000 h
Life To 10% Failures (Nom)	5500 h
Life To 20% Failures (Nom)	10500 h
Life To 50% Failures (Nom)	12000 h
Ansi Code HID	C130/O
Switching Cycle	1050X

• Light Technical

Beam Angle (Max)	28 °
Beam Angle (Min)	18 °
Color Code	930 [CCT of 3000K]
Beam Angle (Nom)	24 °
Luminous Intensity (Min)	6500 cd
Luminous Intensity (Nom)	8500 cd
Beam Description	Narrow Flood
Color Designation	Warm White (WW)
Lumen Maintenance 12000 h (Nom)	70 %
Lumen Maintenance 2000 h (Nom)	90 %
Lumen Maintenance 4000 h (Nom)	85 %
Design Mean Lumens	1500 lm
Chromaticity Coordinate X (Nom)	0.432
Chromaticity Coordinate Y (Nom)	0.392

Correlated Color Temperature (Nom)	3000 K
Luminous Efficacy (rated) (Nom)	46 lm/W
Color Rendering Index (Min)	87
Color Rendering Index (Nom)	90
Limf At End Of Nominal Lifetime (Nom)	70 %

• Operating and Electrical

Power (Rated) (Nom)	35 W
Lamp Current (EM) (Nom)	0.440 A
Re-Ignition Time (Min) (Max)	15 min
Warm Up Time To 60% Light (Nom)	120 s
Ignition Time (Max)	30 s
Voltage (Max)	97 V
Voltage (Min)	81 V
Voltage (Nom)	89 V

• Controls and Dimming

Dimmable	No
Run-Up Time 90% (Max)	3 min

• Mechanical and Housing

Bulb Finish	Reflector
-------------	-----------

PHILIPS

MASTERC colour CDM-R111 Elite

• Approval and Application

Energy Efficiency Label (EEL)	A
Mercury (Hg) Content (Nom)	4.7 mg

• Product Data

Full product code	871829168944700
Order product name	MASTERC CDM-R111 Elite 35W/930 GX8.5 24D

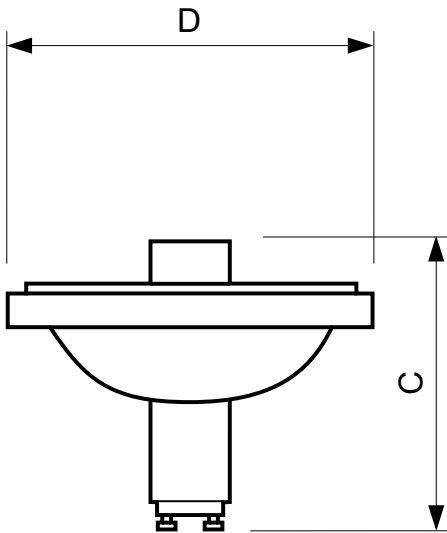
EAN/UPC - Product	8718291689447
Order code	928195405330
Numerator - Quantity Per Pack	1
Numerator - Packs per outer box	6
Material Nr. (12NC)	928195405330
Net Weight (Piece)	96.000 g
ILCOS Code	MRS/UB-35/930-H-GX8.5-111/88/24

Warnings and Safety

- Control gear must include end-of-life protection (IEC61167, IEC 62035)
- Use only with electronic control gear. 35W/930 lamps may also use electromagnetic gear.

- A lamp breaking is extremely unlikely to have any impact on your health. If a lamp breaks, ventilate the room for 30 minutes and remove the parts, preferably with gloves. Put them in a sealed plastic bag and take it to your local waste facilities for recycling. Do not use a vacuum cleaner.

Dimensional drawing

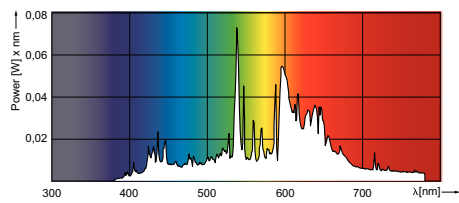


CDM-R111 Elite 35W/930 24D

Product	D	C
MASTERC CDM-R111 Elite 35W/930 GX8.5 24D	111 mm	95 mm



Photometric data



© 2015 Koninklijke Philips N.V. (Royal Philips)
All rights reserved.

Specifications are subject to change without notice. Trademarks are the property of Koninklijke Philips N.V. (Royal Philips) or their respective owners.

www.philips.com/lighting

2015, December 28
data subject to change