



# MASTERColour CDM-Rm Elite Mini

MASTERColour CDM-Rm Elite Mini 50W/930 GX10 MR16 60D

Mini, very high-efficiency Ceramic Metal Halide discharge reflector lamp producing crisp white sparkling light with high color rendering

## Product data

### • General Information

Cap-Base	GX10 [ GX10]
Operating Position	UNIVERSAL [ Any or Universal (U)]
Life To 5% Failures (Nom)	6000 h
Life To 10% Failures (Nom)	7500 h
Life To 20% Failures (Nom)	9000 h
Life To 50% Failures (Nom)	12000 h
Switching Cycle	1000X

### • Light Technical

Beam Angle (Max)	68.75 °
Beam Angle (Min)	41.25 °
Color Code	930 [ CCT of 3000K]
Beam Angle (Nom)	60 °
Luminous Intensity (Min)	2250 cd
Luminous Intensity (Nom)	3000 cd
Beam Description	-
Lumen Maintenance 12000 h (Nom)	87 %
Lumen Maintenance 2000 h (Nom)	95 %
Lumen Maintenance 4000 h (Nom)	93 %
Chromaticity Coordinate X (Nom)	0.441
Chromaticity Coordinate Y (Nom)	0.406
Correlated Color Temperature (Nom)	3000 K

Luminous Efficacy (rated) (Nom)	70 lm/W
Color Rendering Index (Min)	87
Color Rendering Index (Nom)	90
Lmf At End Of Nominal Lifetime (Nom)	87 %

### • Operating and Electrical

Power (Rated) (Nom)	50 W
Re-Ignition Time (Min) (Max)	15 min
Warm Up Time To 60% Light (Nom)	120 s
Ignition Time (Max)	30 s
Voltage (Max)	98 V
Voltage (Min)	80 V
Voltage (Nom)	89 V

### • Controls and Dimming

Dimmable	No
Run-Up Time 90% (Max)	3 min

### • Mechanical and Housing

Bulb Finish	- [ -]
-------------	--------

### • Approval and Application

Energy Efficiency Label (EEL)	A
-------------------------------	---

**PHILIPS**

# MASTERColour CDM-Rm Elite Mini

Mercury (Hg) Content (Nom) 6.6 mg

• UV

Pet (Niosh) (Min) 8 h/500lx  
 Damage Factor D/fc (Max) 0.4

• Luminaire Design Requirements

Reflector Neck Temperature (Max) 315 °C

• Product Data

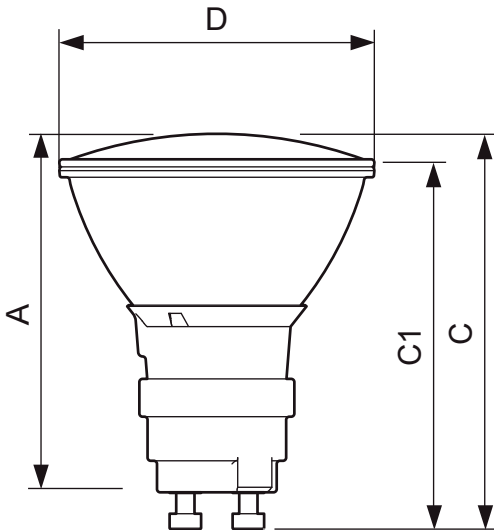
Full product code 871829112086500  
 Order product name MASTERColour CDM-Rm Elite Mini 50W/930 GX10 MR16 60D  
 EAN/UPC - Product 8718291120865  
 Order code 928193105330  
 Numerator - Quantity Per Pack 1  
 Numerator - Packs per outer box 12  
 Material Nr. (12NC) 928193105330  
 Net Weight (Piece) 0.047 kg  
 ILCOS Code MRS/UB-50/930-H-GX10-51/54.5/60

## Warnings and Safety

- Use only with electronic control gear
- Control gear must include end-of-life protection (IEC61167, IEC 62035).

- A lamp breaking is extremely unlikely to have any impact on your health. If a lamp breaks, ventilate the room for 30 minutes and remove the parts, preferably with gloves. Put them in a sealed plastic bag and take it to your local waste facilities for recycling. Do not use a vacuum cleaner.

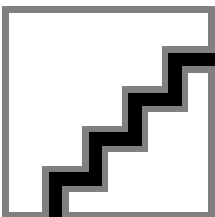
## Dimensional drawing



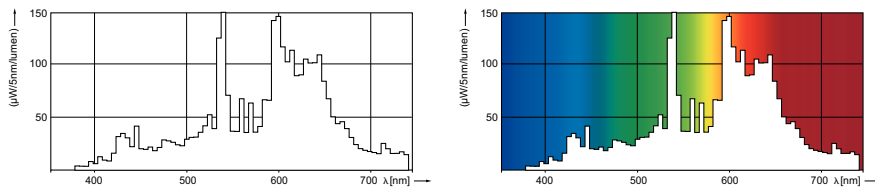
CDM-Rm, GX10, MR16

## CDM-Rm 50W/930 GX10 MR16 60D

Product	D	D	C	C	C1	A
MASTERColour CDM-Rm Elite Mini 50W/930 GX10 MR16 60D	51 mm	50 mm	65.4 mm	62.75 mm	60.9 mm	59 mm



## Photometric data



© 2016 Koninklijke Philips N.V. (Royal Philips)  
All rights reserved.

Specifications are subject to change without notice. Trademarks are the property of Koninklijke Philips N.V. (Royal Philips) or their respective owners.

[www.philips.com/lighting](http://www.philips.com/lighting)

2016, January 20  
data subject to change