



MASTERColour CDM-R Elite

MASTERColour CDM-R Elite 70W/930 E27 PAR30L 40D

Compact, very high-efficiency, long-life Ceramic Metal Halide discharge reflector lamp producing crisp white sparkling light with high color rendering

Product data

• General Information

Cap-Base	E27 [E27]
Operating Position	UNIVERSAL [Any or Universal (U)]
Life To 5% Failures (Nom)	9000 h
Life To 10% Failures (Nom)	6500 h
Life To 20% Failures (Nom)	12000 h
Life To 50% Failures (Nom)	15000 h
Switching Cycle	1350X

• Light Technical

Color Code	930 [CCT of 3000K]
Beam Angle (Nom)	40 °
Luminous Intensity (Nom)	10300 cd
Beam Description	Flood [Flood]
Color Designation	Warm White (WW)
Lumen Maintenance 12000 h (Nom)	82 %
Lumen Maintenance 2000 h (Nom)	94 %
Lumen Maintenance 4000 h (Nom)	90 %
Design Mean Lumens	3800 lm
Chromaticity Coordinate X (Nom)	0.443
Chromaticity Coordinate Y (Nom)	0.402
Correlated Color Temperature (Nom)	2900 K
Luminous Efficacy (rated) (Nom)	70 lm/W

Color Rendering Index (Min)	89
Color Rendering Index (Nom)	92
Limf At End Of Nominal Lifetime (Nom)	80 %

• Operating and Electrical

Power (Rated) (Nom)	73.0 W
Re-Ignition Time (Min) (Max)	15 min
Warm Up Time To 60% Light (Nom)	120 s
Ignition Time (Max)	30 s
Voltage (Max)	93 V
Voltage (Min)	79 V
Voltage (Nom)	86 V

• Controls and Dimming

Dimmable	No
Run-Up Time 90% (Max)	3 min

• Mechanical and Housing

Bulb Finish	Clear
-------------	-------

• Approval and Application

Energy Efficiency Label (EEL)	A
Mercury (Hg) Content (Nom)	6.6 mg

PHILIPS

Luminaire Design Requirements

Bulb Temperature (Max)	300 °C
Cap-Base Temperature (Max)	200 °C

Product Data

Full product code	871829124190400
-------------------	-----------------

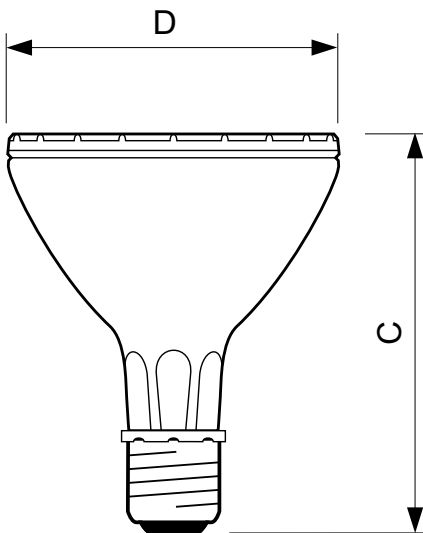
Order product name	MASTERColour CDM-R Elite 70W/930 E27 PAR30L 40D
EAN/UPC - Product	8718291241904
Order code	928109500630
Numerator - Quantity Per Pack	1
Numerator - Packs per outer box	6
Material Nr. (12NC)	928109500630
Net Weight (Piece)	0.220 kg
ILCOS Code	MRS/UB-70/930-H-E27-95/125/40

Warnings and Safety

- Use only with electronic control gear
- Control gear must include end-of-life protection (IEC61167, IEC 62035)

- A lamp breaking is extremely unlikely to have any impact on your health. If a lamp breaks, ventilate the room for 30 minutes and remove the parts, preferably with gloves. Put them in a sealed plastic bag and take it to your local waste facilities for recycling. Do not use a vacuum cleaner.

Dimensional drawing



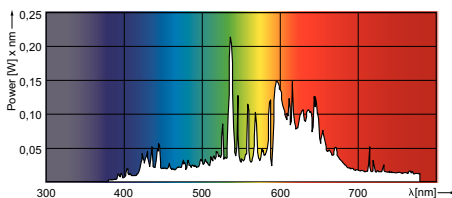
CDM-R Elite /930, /942 E27 PAR30L

CDM-R Elite 70W/930 E27 PAR30L 40D

Product	D	C
MASTERColour CDM-R Elite 70W/930 E27 PAR30L 40D	97 mm	123 mm



Photometric data





© 2015 Koninklijke Philips N.V. (Royal Philips)
All rights reserved.

Specifications are subject to change without notice. Trademarks are the property of Koninklijke Philips N.V. (Royal Philips) or their respective owners.

www.philips.com/lighting

2015, December 28
data subject to change