



MASTERColour CDM-R Elite

MASTERColour CDM-R Elite 35W/930 E27 PAR30L 10D

Compact, very high-efficiency, long-life Ceramic Metal Halide discharge reflector lamp producing crisp white sparkling light with high color rendering

Product data

• General Information

Cap-Base	E27 [E27]
Operating Position	UNIVERSAL [Any or Universal (U)]
Life To 5% Failures (Nom)	9000 h
Life To 10% Failures (Nom)	5500 h
Life To 20% Failures (Nom)	12000 h
Life To 50% Failures (Nom)	15000 h
Switching Cycle	1350X

• Light Technical

Color Code	930 [CCT of 3000K]
Beam Angle (Nom)	10 °
Luminous Intensity (Nom)	49000 cd
Beam Description	Spot
Color Designation	Warm White (WW)
Lumen Maintenance 12000 h (Nom)	82 %
Lumen Maintenance 2000 h (Nom)	94 %
Lumen Maintenance 4000 h (Nom)	90 %
Design Mean Lumens	2000 lm
Chromaticity Coordinate X (Nom)	0.437
Chromaticity Coordinate Y (Nom)	0.400
Correlated Color Temperature (Nom)	2950 K
Luminous Efficacy (rated) (Nom)	69 lm/W

Color Rendering Index (Min)	88
Color Rendering Index (Nom)	91
Llmf At End Of Nominal Lifetime (Nom)	80 %

• Operating and Electrical

Power (Rated) (Nom)	35 W
Lamp Current (EM) (Nom)	0.450 A
Ignition Supply Voltage (Min)	198 V
Re-Ignition Time (Min) (Max)	15 min
Warm Up Time To 60% Light (Nom)	120 s
Ignition Time (Max)	30 s
Voltage (Max)	96 V
Voltage (Min)	80 V
Voltage (Nom)	88 V

• Controls and Dimming

Dimmable	No
Run-Up Time 90% (Max)	3 min

• Mechanical and Housing

Bulb Finish	Clear
-------------	-------

PHILIPS

• Approval and Application

Energy Efficiency Label (EEL)	A
Mercury (Hg) Content (Nom)	4.7 mg

• Luminaire Design Requirements

Bulb Temperature (Max)	300 °C
Cap-Base Temperature (Max)	200 °C

• Product Data

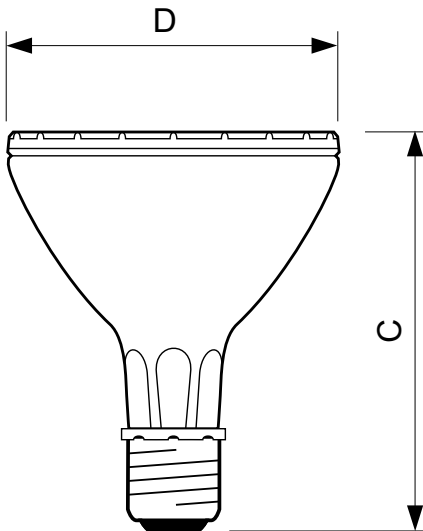
Full product code	871829124192800
Order product name	MASTERColour CDM-R Elite 35W/930 E27 PAR30L 10D
EAN/UPC - Product	8718291241928
Order code	928108100630
Numerator - Quantity Per Pack	1
Numerator - Packs per outer box	6
Material Nr. (12NC)	928108100630
Net Weight (Piece)	0.220 kg
ILCOS Code	MRS/UB-35/930-H-E27-95/125/10

Warnings and Safety

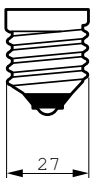
- Use only with electronic control gear
- Control gear must include end-of-life protection (IEC61167, IEC 62035)

- A lamp breaking is extremely unlikely to have any impact on your health. If a lamp breaks, ventilate the room for 30 minutes and remove the parts, preferably with gloves. Put them in a sealed plastic bag and take it to your local waste facilities for recycling. Do not use a vacuum cleaner.

Dimensional drawing



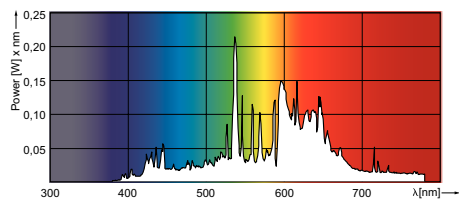
CDM-R Elite /930, /942 E27 PAR30L



CDM-R Elite 35W/930 E27 PAR30L 10D

Product	D	C
MASTERColour CDM-R Elite 35W/930 E27 PAR30L 10D	97 mm	123 mm

Photometric data



© 2015 Koninklijke Philips N.V. (Royal Philips)
All rights reserved.

Specifications are subject to change without notice. Trademarks are the property of Koninklijke Philips N.V. (Royal Philips) or their respective owners.

www.philips.com/lighting

2015, December 28
data subject to change