

CDM

CDM-SA/R 150W/942 UNP/1



The perfect color rendering and long life of these Ceramic Discharge Metal-halide lamps make them ideal for fiber optics lighting systems in shop displays, decorative lighting and swimming pool illumination. They can be mounted in color changing projectors.

Product data

• General Information

Cap-Base	CERAMICCAP-CABLE [Ceramic Cap-Cable]
Operating Position	UNIVERSAL [Any or Universal (U)]
Main Application	Fiber Optics
Life To 50% Failures (Nom)	6000 h

• Light Technical

Color Code	942 [CCT of 4200K]
Luminous Flux (Min)	2300 lm
Luminous Flux (Nom)	2750 lm
Color Designation	Cool White (CW)
Chromaticity Coordinate X (Nom)	361
Chromaticity Coordinate Y (Nom)	351
Correlated Color Temperature (Nom)	4200 K
Luminous Efficacy (rated) (Nom)	19 lm/W
Color Rendering Index (Nom)	96

• Operating and Electrical

Power (Rated) (Nom)	150 W
Lamp Current (Nom)	1.8 A

Ignition Supply Voltage (Min)	198 V
-------------------------------	-------

• Controls and Dimming

Dimmable	No
----------	----

• Mechanical and Housing

Cap-Base Information	Cable 250mm
----------------------	-------------

• Luminaire Design Requirements

Bulb Temperature (Max)	650 °C
Pinch Temperature (Max)	350 °C

• Product Data

Full product code	871150020150800
Order product name	CDM-SA/R 150W/942 UNP/1
EAN/UPC - Product	8727900783490
Order code	928086805303
Numerator - Quantity Per Pack	1
Numerator - Packs per outer box	1
Material Nr. (12NC)	928086805303
Net Weight (Piece)	0.192 kg

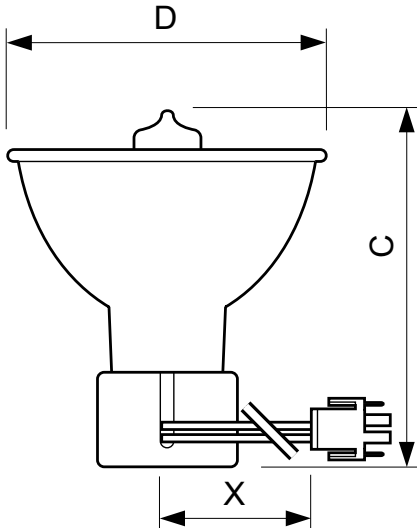
PHILIPS

Warnings and Safety

- A lamp breaking is extremely unlikely to have any impact on your health. If a lamp breaks, ventilate the room for 30 minutes and

remove the parts, preferably with gloves. Put them in a sealed plastic bag and take it to your local waste facilities for recycling. Do not use a vacuum cleaner.

Dimensional drawing

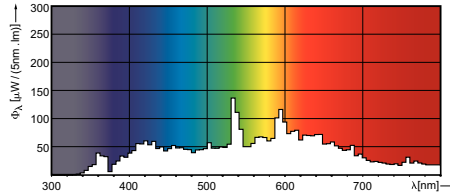
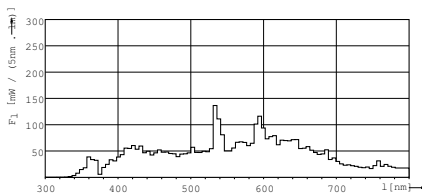


CDM-SA/R 150W

CDM-SA/R 150W/942

Product	D	X	C
CDM-SA/R 150W/942 UNP/1	95.3 mm	280 mm	106 mm

Photometric data



© 2015 Koninklijke Philips N.V. (Royal Philips)
All rights reserved.

Specifications are subject to change without notice. Trademarks are the property of Koninklijke Philips N.V. (Royal Philips) or their respective owners.

www.philips.com/lighting

2015, December 24
data subject to change