



MASTERColour CDM-R Elite

MASTERColour CDM-R Elite 70W/942 E27 PAR30L 10D

Compact, very high-efficiency, long-life Ceramic Metal Halide discharge reflector lamp producing crisp white sparkling light with high color rendering

Product data

• General Information

Cap-Base	E27 [E27]
Operating Position	UNIVERSAL [Any or Universal (U)]
Life To 5% Failures (Nom)	9000 h
Life To 10% Failures (Nom)	10000 h
Life To 20% Failures (Nom)	12000 h
Life To 50% Failures (Nom)	15000 h
Switching Cycle	1350X

• Light Technical

Beam Angle (Max)	13 °
Beam Angle (Min)	9 °
Color Code	942 [CCT of 4200K]
Beam Angle (Nom)	10 °
Luminous Flux (Nom)	5050 lm
Luminous Intensity (Min)	36000 cd
Luminous Intensity (Nom)	48000 cd
Beam Description	Spot
Color Designation	Cool White (CW)
Lumen Maintenance 12000 h (Nom)	77 %
Lumen Maintenance 2000 h (Nom)	90 %
Lumen Maintenance 4000 h (Nom)	84 %
Design Mean Lumens	4200 lm
Chromaticity Coordinate X (Nom)	0.372

Chromaticity Coordinate Y (Nom)	0.369
Correlated Color Temperature (Nom)	4200 K
Luminous Efficacy (rated) (Nom)	69 lm/W
Color Rendering Index (Min)	89
Color Rendering Index (Nom)	92
Limf At End Of Nominal Lifetime (Nom)	75 %

• Operating and Electrical

Power (Rated) (Nom)	70 W
Ignition Supply Voltage (Min)	198 V
Re-Ignition Time (Min) (Max)	15 min
Warm Up Time To 60% Light (Nom)	120 s
Ignition Time (Max) Voltage (Max)	30 s
Voltage (Min)	98 V
Voltage (Nom)	82 V
	90 V

• Controls and Dimming

Dimmable	No
Run-Up Time 90% (Max)	3 min

PHILIPS

• Mechanical and Housing

Bulb Finish Clear

• Approval and Application

Energy Efficiency Label (EEL) A
 Mercury (Hg) Content (Nom) 6.5 mg

• Luminaire Design Requirements

Bulb Temperature (Max) 300 °C
 Cap-Base Temperature (Max) 200 °C

• Product Data

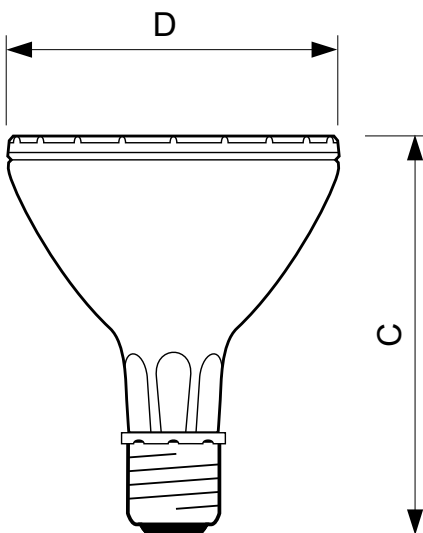
Full product code 871829165165900
 Order product name MASTERCcolour CDM-R Elite 70W/942 E27 PAR30L 10D
 EAN/UPC - Product 8718291651659
 Order code 928052900630
 Numerator - Quantity Per Pack 1
 Numerator - Packs per outer box 6
 Material Nr. (12NC) 928052900630
 Net Weight (Piece) 0.225 kg

Warnings and Safety

- Use only with electronic control gear
- Control gear must include end-of-life protection (IEC61167, IEC 62035)

- A lamp breaking is extremely unlikely to have any impact on your health. If a lamp breaks, ventilate the room for 30 minutes and remove the parts, preferably with gloves. Put them in a sealed plastic bag and take it to your local waste facilities for recycling. Do not use a vacuum cleaner.

Dimensional drawing



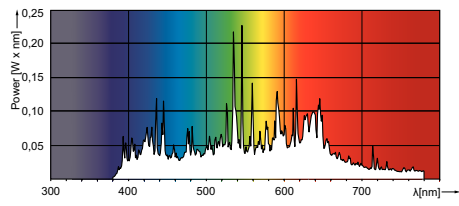
CDM-R Elite /930, /942 E27 PAR30L

CDM-R Elite 70W/942 E27 PAR30L 10D

Product	D	C
MASTERCcolour CDM-R Elite 70W/942 E27 PAR30L 10D	97 mm	123 mm



Photometric data



© 2015 Koninklijke Philips N.V. (Royal Philips)
All rights reserved.

Specifications are subject to change without notice. Trademarks are the property of Koninklijke Philips N.V. (Royal Philips) or their respective owners.

www.philips.com/lighting

2015, December 28
data subject to change