



HF-Performer III for TL5 lamps

HF-P 3/4 14 TL5 III 220-240V 50/60Hz IDC

HF-Performer III TL5 ballasts offer maximum versatility and meet all of the necessary commercial grade specifications. They also offer the added benefits of lamp striation reduction technology, making these ballasts compatible with energy-saving TL5 ECO lamps. As such, these ballasts are part of an overall high-efficiency lighting system that may help you or your customers to achieve any international or local energy code you need to comply with. HF-Performer III TL5 ballasts are the ideal choice for a broad range of new construction and retrofit applications within the commercial sector, including general surface mounting or office lighting, parking garages, warehouses, waterproof and other applications.

Product data

• General Information

Application Code	III
Type Version	IDC
Lamp Type	TL5
Number Of Lamps	3/4 piece/unit
Number Of Products	28
On MCB (16A Type B) (Nom)	
Automatic Restart	Yes

• Operating and Electrical

Input Voltage	220 to 240 V
Input Frequency	50/60 Hz
Operating Frequency (Nom)	46 kHz
Ignition Method	Programmed Start
Crestfactor (Max)	1.7
Power Factor 100% Load (Nom)	0.99
Preheat Time	0.5 s
Ignition Time (Max)	0.9 s
Mains Voltage	-8%/+6%
Performance (AC)	
Mains Voltage Safety (AC)	-10%/+10%
Earth Leakage Current (Nom)	0.5 mA
Inrush Current	0.25 ms
Width	
Constant Wattage Deviation	-2%/+2%

Ballast Factor (Nom)	1.0
Power Losses (Nom)	3.5-5.0 W
Inrush Current Peak (Max)	24 A

• Wiring

Connector Type	WAGO 251 universal connector
Input Terminals	[Suitable for both automatic wiring (ALF and ADS) and manual wiring]
Cable Capacity	200 pF
Output Wires Mutual (Nom)	
Connector Type	WAGO 251 universal connector
Output Terminals	[Suitable for both automatic wiring (ALF and ADS) and manual wiring]
Cable Length Hot Wiring	0.75 m
Wire Striplength	8.0-9.0 mm
Dual Fixture Master/Slave	Not applicable [Master/Slave oper. not applicable]
Input Terminal Cross Section	0.50-1.50 mm ²
Output Terminal Cross Section	0.50-1.50 mm ²
Cable Capacity	200 pF
Output Wires To Earth (Nom)	

• System characteristics

Rated Ballast-Lamp Power	14 W
--------------------------	------

PHILIPS

HF-Performer III for TL5 lamps

Rated Lamp Power On TL5	14 W
System Power On TL5	45/61 W
Lamp Power On TL5	41.5/56.0 W
Power Loss On TL5	3.5/5.0 W

Nominal Light Output After 5 Seconds	50% of EBLF
--------------------------------------	-------------

• Temperature

T-Ambient (Max)	60 °C
T-Ambient (Min)	-25 °C
T-Storage (Max)	50 °C
T-Storage (Min)	-40 °C
T-Case Lifetime (Nom)	80 °C
T-Case Maximum (Max)	80 °C
T-Ignition (Max)	60 °C
T-Ignition (Min)	-25 °C

• Mechanical and Housing

Housing	L 280x40x21
---------	-------------

• Emergency Operation

Nominal Light Output After 60 Seconds	100% of EBLF
Battery Voltage Lamp Ignition	176-275 V
Normal Operating Voltage (DC)	220-240 V
Battery Voltage Lamp Operation	186-275 V
Battery Voltage Guaranteed Operation	176-275 V
Battery Voltage Guaranteed Ignition	186-275 V
Emergency Ballast Lumen Factor (EBLF) (Nom)	0.7 %

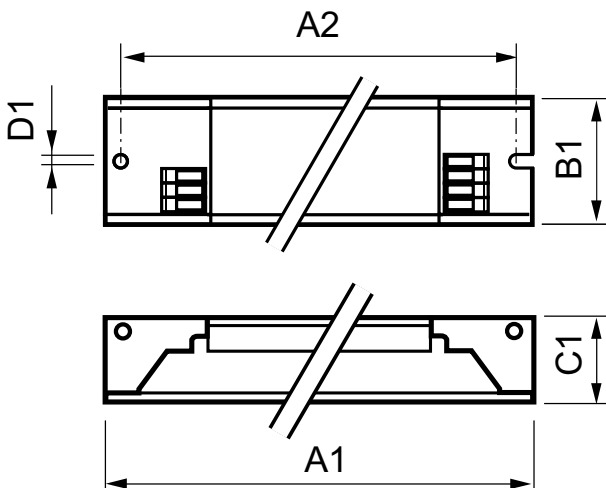
• Approval and Application

Energy Efficiency Index	A2 BAT
EMI 9 kHz ... 30 MHz	EN55015
EMI 30 MHz ... 1000MHz	Level = Class
Safety Standard	IEC 61347-2-3
Performance Standard	IEC 60929
Quality Standard	ISO 9000:2000
Environmental Standard	ISO 14001
Harmonic Current Emission Standard	IEC 61000-3-2
Emc Immunity Standard	IEC 61547
Vibration Standard	IEC 68-2-6 Fc
Bumps Standard	IEC 68-2-29 Eb
Humidity Standard	EN 61347-2-3 clause 11
Temperature Marking	Yes
Emergency Standard	IEC 60598-2-22
Hum And Noise Level	<lt/> 30 dB(A)

• Product Data

Full product code	871829172125300
Order product name	HF-P 3/4 14 TL5 III 220-240V 50/60Hz IDC
EAN/UPC - Product	8718291721253
Order code	913713033966
Numerator - Quantity Per Pack	1
Numerator - Packs per outer box	10
Material Nr. (12NC)	913713033966
Net Weight (Piece)	195.000 g

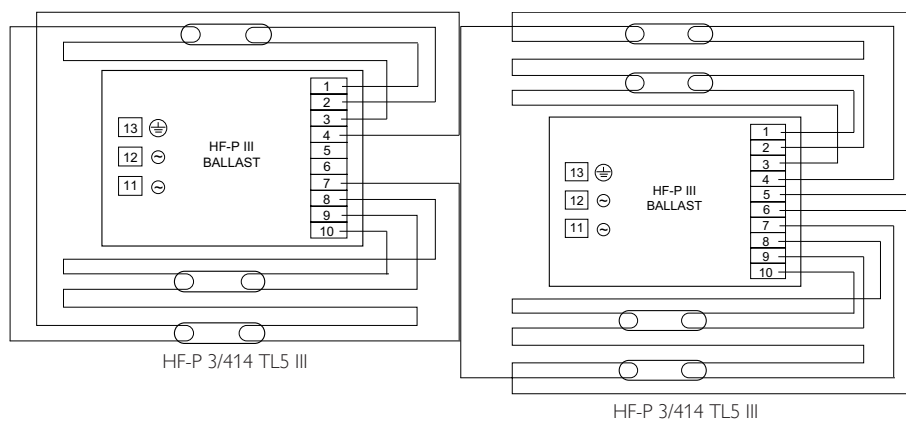
Dimensional drawing



HF-P 3/414 TL5 III 220-240V 50/60Hz IDC

Product	D1	C1	A1	A2	B1
HF-P 3/4 14 TL5 III 220-240V 50/60Hz IDC	4.2 mm	21.0 mm	280.0 mm	265.0 mm	39.0 mm

Dimensional drawing



© 2015 Koninklijke Philips N.V. (Royal Philips)
All rights reserved.

Specifications are subject to change without notice. Trademarks are the property of Koninklijke Philips N.V. (Royal Philips) or their respective owners.

www.philips.com/lighting

2015, December 24
data subject to change