



PrimaVision Economy for CDM lamps

HID-PV E 70 /S CDM 220-240V

Single CDM lamp operation, single HID electronic gear – improves cost effectiveness and increases luminaire design flexibility

Product data

• General Information

Type Version	Not specified
Lamp Type	CDM
Number Of Lamps	1 piece/unit
Number Of Products On MCB (16A Type B) (Nom)	20
Automatic Restart	Yes

• Operating and Electrical

Input Voltage	220 to 240 V
Input Frequency	50/60 Hz
Minimum Mains Voltage Operation (Min)	180 V
Operating Frequency (Nom)	45-66 kHz
Power Factor 100% Load (Nom)	0.95
Igniton Type	Pulse
Ignition Voltage (Max)	5.0 kV
Ignition Voltage (Min)	3.0 kV
Mains Voltage Performance (AC)	-8%/+6%
Mains Voltage Safety (AC)	180-264V
Inrush Current	0.33 ms
Width	
Constant Wattage Deviation	Not specified
Power Losses (Nom)	7 W
Inrush Current Peak (Max)	33 A
Output Voltage	- V

• Wiring

Cable Capacity	120 pF
Output Wires Mutual (Nom)	
Cable Length From Device To Lamp	2 m
Ballast Contact Wire Cross Section	0.50-1.50 mm ²
Connector Type	Insert

• System characteristics

Rated Ballast-Lamp Power	70 W
--------------------------	------

• Temperature

T-Ambient (Max)	50 °C
T-Ambient (Min)	-20 °C
T-Storage (Max)	80 °C
T-Storage (Min)	-25 °C
T-Case Lifetime (Nom)	80 °C
T-Case Maximum (Max)	80 °C

• Mechanical and Housing

Housing	/S
---------	----

• Approval and Application

Active Temperature Protection	No
-------------------------------	----

PHILIPS

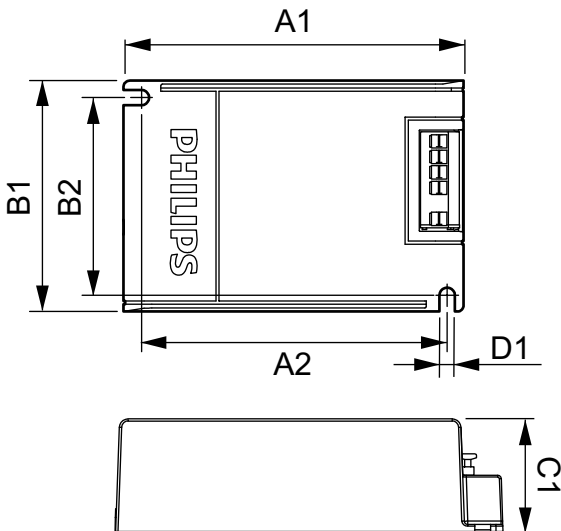
PrimaVision Economy for CDM lamps

EMI 30 MHz ... 1000MHz	CISPR15 Edition 7.2
Vibration Standard	IEC 68-2-6 Fc
Bumps Standard	IEC 68-2-29 Eb
Surge Test Installation Level	EN61547
Surge Test Performance Criterium	Not specified
Hum And Noise Level	37 dB(A)

• Product Data

Full product code	871829118419500
Order product name	HID-PV E 70 /S CDM 220-240V
EAN/UPC - Product	8718291184195
Order code	913700680966
Numerator - Quantity Per Pack	1
Numerator - Packs per outer box	12
Material Nr. (12NC)	913700680966
Net Weight (Piece)	0.215 kg

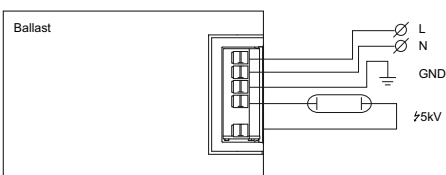
Dimensional drawing



HID-PV Economy 35 /S, 70 /S for CDM lamps

HID-PVe C 70 /S CDM 220-240V 50/60Hz

Product	D1	C1	A1	A2	B1	B2
HID-PV E 70 /S CDM 220-240V	4.9 mm	32.2 mm	109.6 mm	98.5 mm	74.4 mm	63.7 mm



HID-PV Economy 35 /S, 70 /S for CDM lamps



© 2015 Koninklijke Philips N.V. (Royal Philips)
All rights reserved.

Specifications are subject to change without notice. Trademarks are the property of Koninklijke Philips N.V. (Royal Philips) or their respective owners.

www.philips.com/lighting

2015, December 23
data subject to change