



HF-Performer II for PL-T/C/R/L/TL5C lamps

HF-P 1 13-17 PL-T/C/R EII 220-240V

HF-Performer EII PL-T/C/R/T5c is a sustainable, slim and high-frequency electronic ballast for a wide range of CFL- ni applications. It is ideal for applications where high energy efficiency is required. The HF-Performer EII range has a robust design, meets all relevant international safety and performance standards and is energy-efficient (CELMA EEI A2).

Product data

• General Information

Application Code	EII
Type Version	mk4
Lamp Type	PL-T/C/R
Number Of Lamps	1 piece/unit
Number Of Products	28
On MCB (16A Type B) (Nom)	
Automatic Restart	Yes

• Operating and Electrical

Input Voltage	220 to 240 V
Input Frequency	50/60 Hz
Operating Frequency (Max)	- kHz
Operating Frequency (Min)	42 kHz
Operating Frequency (Nom)	45 kHz
Ignition Method	Warm Start
Crestfactor (Max)	1.7
Power Factor 100% Load (Nom)	0.95
Ignition Time (Max)	0.55 s
Mains Voltage Performance (AC)	-8%/+6%
Mains Voltage Safety (AC)	-10%/+10%
Earth Leakage Current (Nom)	0.5 mA
Inrush Current Width	0.25 ms
Constant Wattage Deviation	-2%/+2%
Ballast Factor (Nom)	1
Power Losses (Nom)	1.60-1.71 W

Inrush Current Peak (Max)	18 A
---------------------------	------

• Wiring

Connector Type	Insert
Input Terminals	
Cable Capacity	200 pF
Output Wires Mutual (Nom)	
Connector Type	Insert
Output Terminals	
Cable Length Hot Wiring	0.75 m
Wire Striplength	7.5-8.5 mm
Dual Fixture Master/Slave	Not applicable [Master/Slave oper. not applicable]
Input Terminal Cross Section	0.50-1.50 mm ²
Output Terminal Cross Section	0.50-1.50 mm ²
Cable Capacity	200 pF
Output Wires To Earth (Nom)	

• System characteristics

Rated Ballast-Lamp Power	13-17 W
Rated Lamp Power On PL-T/C	13/17 W

• Temperature

T-Ambient (Max)	50 °C
T-Ambient (Min)	-25 °C
T-Storage (Max)	80 °C

PHILIPS

HF-Performer II for PL-T/C/R/L/TL5C lamps

T-Storage (Min)	-40 °C
T-Case Lifetime (Nom)	75 °C
T-Case Maximum (Max)	75 °C
T-Ignition (Max)	50 °C
T-Ignition (Min)	-25 °C

Harmonic Current Emission Standard	IEC 61000-3-2
Emc Immunity Standard	IEC 61547
Vibration Standard	IEC 68-2-6 Fc
Bumps Standard	IEC 68-2-29 Eb
Humidity Standard	EN 61347-2-3 clause 11
Temperature Marking	Yes
Emergency Standard	IEC 60598-2-22
Hum And Noise Level	Inaudible

• Emergency Operation

Battery Voltage Lamp Ignition	198-254 V
Battery Voltage Lamp Operation	176-254

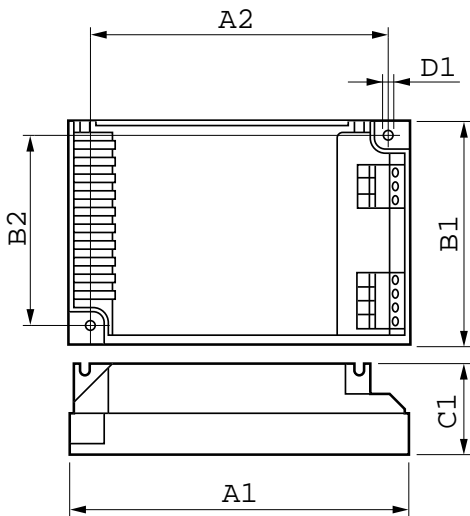
• Approval and Application

Energy Efficiency Index	A2
EMI 9 kHz ... 30 MHz	EN55015
EMI 30 MHz ... 1000MHz	Level = Class
Safety Standard	IEC 61347-2-3
Performance Standard	IEC 60929
Quality Standard	ISO 9000:2000
Environmental Standard	ISO 14001

• Product Data

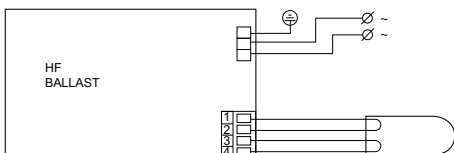
Full product code	871150091407130
Order product name	HF-P 1 13-17 PL-T/C/R EII 220-240V
EAN/UPC - Product	8711500914071
Order code	913700631166
Numerator - Quantity Per Pack	1
Numerator - Packs per outer box	12
Material Nr. (12NC)	913700631166
Net Weight (Piece)	0.140 kg

Dimensional drawing



HF-P 1 13-17 PL-T/C/R EII 220-240V

Product	D1	C1	A1	A2	B1	B2
HF-P 1 13-17 PL-T/C/R EII 220-240V	4.5 mm	30.0 mm	103.0 mm	93.5 mm	67.0 mm	57.5 mm





© 2015 Koninklijke Philips N.V. (Royal Philips)
All rights reserved.

Specifications are subject to change without notice. Trademarks are the property of Koninklijke Philips N.V. (Royal Philips) or their respective owners.

www.philips.com/lighting

2015, December 24
data subject to change