

# HF-Performer TL5 Circular

HF-P 160 TL5C 220-240V 50/60Hz

Compact, square, lightweight, High Frequency electronic ballasts for TL5 Circular lamps

## Product data

### • General Information

Type Version	mk1
Lamp Type	TL5C
Number Of Lamps	1 piece/unit
Number Of Products	28
On MCB (16A Type B) (Nom)	
Automatic Restart	Yes

### • Operating and Electrical

Input Voltage	220 to 240 V
Input Frequency	50/60 Hz
Operating Frequency (Max)	- kHz
Operating Frequency (Min)	- kHz
Operating Frequency (Nom)	48 kHz
Ignition Method	Warm Start
Crestfactor (Max)	1.7
Power Factor 100% Load (Nom)	0.98
Ignition Time (Max)	1.6 s
Mains Voltage	-8%/+6%
Performance (AC) Mains Voltage Safety (AC)	-10%/+10%
Earth Leakage Current (Nom)	0.5 mA
Inrush Current	0.17 ms
Width	
Constant Wattage Deviation	-2%/+2%
Power Losses (Nom)	4.0 W
Inrush Current Peak (Max)	20 A

### • Wiring

Connector Type	Insert
Input Terminals	
Cable Capacity	120 pF
Output Wires Mutual (Nom)	
Connector Type	Insert
Output Terminals	
Wire Striplength	11.0 mm
Dual Fixture Master/Slave	Not applicable [ Master/Slave oper. not applicable]
Input Terminal Cross Section	0.75-1.50 mm <sup>2</sup>
Output Terminal Cross Section	0.75-1.50 mm <sup>2</sup>
Cable Capacity	60 pF
Output Wires To Earth (Nom)	

### • System characteristics

Rated Ballast-Lamp Power	60 W
--------------------------	------

### • Temperature

T-Ambient (Max)	60 °C
T-Ambient (Min)	-20 °C
T-Case Lifetime (Nom)	70 °C
T-Case Maximum (Max)	70 °C

**PHILIPS**

# HF-Performer TL5 Circular

## Mechanical and Housing

Housing S 103x67x30

## Emergency Operation

Battery Voltage Lamp Ignition 176-276 V  
 Battery Voltage Lamp Operation 176-276

## Approval and Application

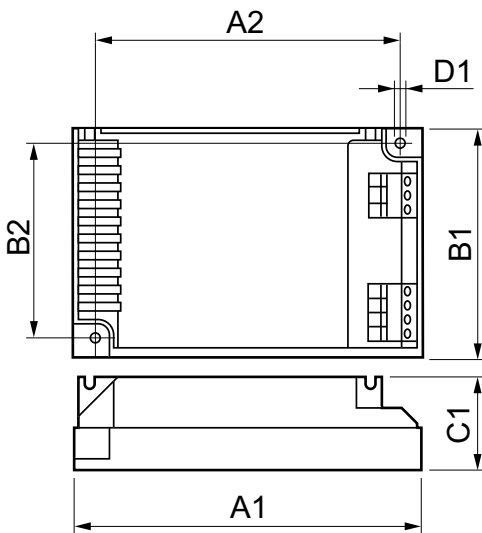
Energy Efficiency Index A2  
 EMI 9 kHz ... 30 MHz EN55015  
 EMI 30 MHz ... 1000MHz Level = Class  
 Safety Standard IEC 61347-2-3  
 Performance Standard IEC 60929  
 Quality Standard ISO 9000:2000  
 Environmental Standard ISO 14001  
 Harmonic Current Emission Standard IEC 61000-3-2

Emc Immunity Standard IEC 61547  
 Vibration Standard IEC 68-2-6 Fc  
 Bumps Standard IEC 68-2-29 Eb  
 Humidity Standard EN 61347-2-3 clause 11  
 Temperature Marking Not specified  
 Emergency Standard IEC 60598-2-22  
 Hum And Noise Level Inaudible

## Product Data

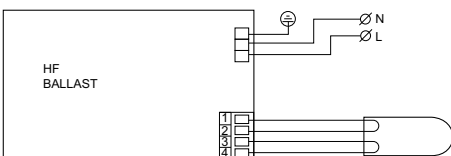
Full product code 871150092778130  
 Order product name HF-P 160 TL5C 220-240V 50/60Hz  
 EAN/UPC - Product 8711500927781  
 Order code 913700163991  
 Numerator - Quantity Per Pack 1  
 Numerator - Packs per outer box 36  
 Material Nr. (12NC) 913700163991  
 Net Weight (Piece) 0.155 kg

## Dimensional drawing



## HF-P 160 TL5C 220-240V 50/60Hz

Product	D1	C1	A1	A2	B1	B2
HF-P 160 TL5C 220-240V 50/60Hz	4.5 mm	30.0 mm	103.0 mm	93.5 mm	67.0 mm	57.5 mm





© 2015 Koninklijke Philips N.V. (Royal Philips)  
All rights reserved.

Specifications are subject to change without notice. Trademarks are the property of Koninklijke Philips N.V. (Royal Philips) or their respective owners.

[www.philips.com/lighting](http://www.philips.com/lighting)

2015, December 24  
data subject to change