



HF-Performer III for TL-D lamps

HF-P 3/418 TL-D III 220-240V 50/60Hz IDC

HF-Performer III TL-D III ballasts offer maximum versatility and meet all of the necessary commercial grade specifications. They also offer the added benefits of lamp striation reduction technology, making these ballasts compatible with energy-saving lamps. As such, these ballasts are part of an overall high-efficiency lighting system that may help you or your customers to achieve any international or local energy code you need to comply with. HF-Performer III TL-D III ballasts are the ideal choice for a broad range of new construction and retrofit applications within the commercial sector, including general surface mounting or office lighting, parking garages, warehouses, waterproof and other applications.

Product data

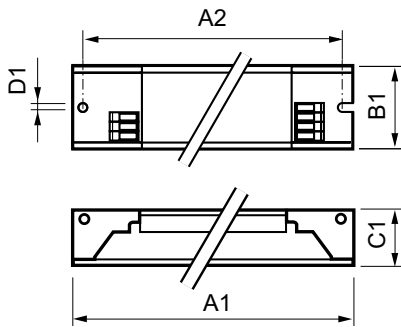
General Information			
Application Code	III	Crestfactor (Max)	1.7
Type Version	IDC	Power Factor 100% Load (Nom)	0.98
Lamp Type	TL-D	Ignition Time (Max)	0.9 s
Number Of Lamps	3/4 piece/unit	Mains Voltage Performance (AC)	-8%+6%
Number Of Products On MCB (16A Type B) (Nom)	28	Mains Voltage Safety (AC)	-10%+10%
Automatic Restart	Yes	Earth Leakage Current (Nom)	0.5 mA
		Inrush Current Width	0.25 ms
		Constant Wattage Deviation	-2%/+2%
		Ballast Factor (Nom)	1.06
		Power Losses (Nom)	3.90-4.55 W
		Inrush Current Peak (Max)	18 A
Operating and Electrical			
Input Voltage	220 to 240 V		
Input Frequency	50 to 60 Hz		
Operating Frequency (Nom)	45 kHz		
Ignition Method	Programmed Start		

HF-Performer III for TL-D lamps

Wiring	
Connector Type Input Terminals	WAGO 251 universal connector [Suitable for both automatic wiring (ALF and ADS) and manual wiring]
Cable Capacity Output Wires Mutual (Nom)	200 pF
Connector Type Output Terminals	WAGO 251 universal connector [Suitable for both automatic wiring (ALF and ADS) and manual wiring]
Cable Length Hot Wiring	0.75 m
Wire Striplength	8.0-9.0 mm
Dual Fixture Master/Slave	Not applicable [Master/Slave oper. not applicable]
Input Terminal Cross Section	0.50-1.00 mm ²
Output Terminal Cross Section	0.50-1.00 mm ²
Cable Capacity Output Wires To Earth (Nom)	200 pF
System characteristics	
Rated Ballast-Lamp Power	18 W
Rated Lamp Power On TL-D	18 W
System Power On TL-D	52.6/70.8 W
Lamp Power On TL-D	48.7/66.2 W
Power Loss On TL-D	3.9/4.6 W
Temperature	
T-Ambient (Max)	60 °C
T-Ambient (Min)	-25 °C
T-Storage (Max)	50 °C
T-Storage (Min)	-40 °C
T-Case Lifetime (Nom)	80 °C
T-Case Maximum (Max)	80 °C
T-Ignition (Max)	60 °C
T-Ignition (Min)	-25 °C
Mechanical and Housing	
Housing	L 280x40x28
Emergency Operation	
Nominal Light Output After 60 Seconds	100% of EBLF
Battery Voltage Lamp Ignition	
Battery Voltage Lamp Ignition	186-275 V
Normal Operating Voltage (DC)	
Normal Operating Voltage (DC)	220-240 V
Battery Voltage Lamp Operation	
Battery Voltage Lamp Operation	186-275
Battery Voltage Guaranteed Operation	
Battery Voltage Guaranteed Operation	176-275 V
Battery Voltage Guaranteed Ignition	
Battery Voltage Guaranteed Ignition	186-275 V
Emergency Ballast Lumen Factor (EBLF) (Nom)	
Emergency Ballast Lumen Factor (EBLF) (Nom)	0.7 %
Nominal Light Output After 5 Seconds	
Nominal Light Output After 5 Seconds	50% of EBLF
Approval and Application	
Energy Efficiency Index	A2 BAT
EMI 9 kHz ... 30 MHz	EN55015
EMI 30 MHz ... 1000 MHz	EN55022 level B
Safety Standard	IEC 61347-2-3
Performance Standard	IEC 60929
Quality Standard	ISO 9000:2000
Environmental Standard	ISO 14001
Harmonic Current Emission Standard	IEC 61000-3-2
EMC Immunity Standard	IEC 61547
Vibration Standard	IEC68-2-6 F c
Bumps Standard	IEC 68-2-29 Eb
Humidity Standard	EN 61347-2-3 clause 11
Approval Marks	CE marking ENEC certificate VDE-EMV certificate
Temperature Marking	Yes
Emergency Standard	IEC 60598-2-22
Hum And Noise Level	< 30 dB(A)
Product Data	
Full product code	872790091162600
Order product name	HF-P 3/418 TL-D III 220-240V 50/60Hz IDC
EAN/UPC - Product	8711500999627
Order code	913713031466
Numerator - Quantity Per Pack	1
Numerator - Packs per outer box	10
Material Nr. (12NC)	913713031466
Net Weight (Piece)	0.250 kg

HF-Performer III for TL-D lamps

Dimensional drawing



HF-P 3/418 TL-D III 220-240V 50/60Hz IDC

Product	D1	C1	A1	A2	B1
HF-P 3/418 TL-D III 220-240V 50/60Hz IDC	4.2 mm	28.0 mm	280.0 mm	265.0 mm	40.0 mm

