
SIG 1238

Low-voltage over-pressure lamps for 10 V systems, road traffic



Areas of application

- Road traffic signalling systems

Product benefits

- Much higher luminous efficacy than high-voltage signal lamps
- Clearly improved lamp quality due to higher gas pressure and inert gas filling
- Leads to reduced power consumption of the signal installation
- High resistance against shock and vibration compared to high-voltage lamps
- Max. premature failure rate: 2 % up to 4,400 h (related to lamp failures only)
- Retrofit for 230 V systems (replace lamp and reflector and install transformer)

Product datasheet

Technical data

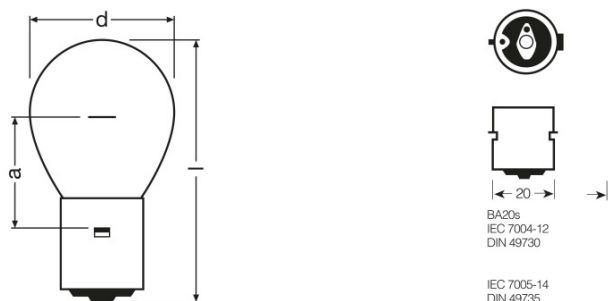
Electrical data

Nominal wattage	30.0 W
Nominal voltage	10.0 V
Test voltage	10.5 V

Photometrical data

Nominal luminous flux	400 lm
-----------------------	--------

Dimensions & weight



Diameter	36.0 mm
Overall length	67.0 mm
Light center length (LCL)	31.0 mm ¹⁾

¹⁾ Distance from the coil to the lug of base

Additional product data

Base (standard designation)	BA20s
-----------------------------	-------

Capabilities

Burning position	≤135 ¹⁾
------------------	--------------------

¹⁾ Lamps with transverse filament should be preferred inclined perpendicular to the filament plane / Only the permissible burning position may be used otherwise the lamp will fail prematurely

Country specific categorizations

Order reference	SIG 1238 UE CL
-----------------	----------------

Country specific information

Product code	METEL-Code	SEG number	STK number	UK Org
--------------	------------	------------	------------	--------

Product datasheet

4008321904003	-	8334832	-	-
4050300831794	-	-	4733783	-

Product datasheet

Safety advice

Use only in equipment/luminaires that are specially designed for the purpose.
Protect the lamps against moisture during operation and installation.



Logistical Data

Product code	Product description	Packaging unit (Pieces/Unit)	Dimensions (length x width x height)	Volume	Gross weight
4008321904003	SIG 1238	Unpacked 1	64 mm x 22 mm x 24 mm	0.03 dm ³	25.00 g
4050300253091	SIG 1238	Shipping carton box 200	371 mm x 323 mm x 200 mm	23.97 dm ³	3137.00 g
4050300831794	SIG 1238	Unpacked 1	69 mm x 34 mm x 38 mm	0.09 dm ³	15.00 g
4050300238845	SIG 1238	Folding carton box 10	79 mm x 79 mm x 193 mm	1.20 dm ³	227.00 g
4050300238852	SIG 1238	Shipping carton box 100	408 mm x 169 mm x 207 mm	14.27 dm ³	2480.50 g

The mentioned product code describes the smallest quantity unit which can be ordered. One shipping unit can contain one or more single products. When placing an order, for the quantity please enter single or multiples of a shipping unit.

Disclaimer

Subject to change without notice. Errors and omission excepted. Always make sure to use the most recent release.