

---

## SIG 1227

Low-voltage over-pressure lamps for 10 V systems, road traffic



---

### Areas of application

- Road traffic signalling systems

---

### Product benefits

- Much higher luminous efficacy than high-voltage signal lamps
- Clearly improved lamp quality due to higher gas pressure and inert gas filling
- Leads to reduced power consumption of the signal installation
- High resistance against shock and vibration compared to high-voltage lamps
- Max. premature failure rate: 2 % up to 4,400 h (related to lamp failures only)
- Retrofit for 230 V systems (replace lamp and reflector and install transformer)

# Product datasheet

## Technical data

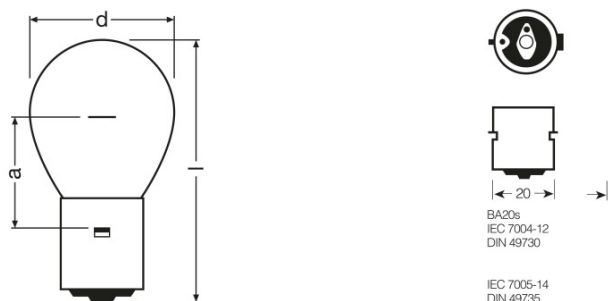
### Electrical data

Nominal wattage	22.0 W
Nominal voltage	10.0 V
Test voltage	10.5 V

### Photometrical data

Nominal luminous flux	270 lm
-----------------------	--------

### Dimensions & weight



Diameter	36.0 mm
Overall length	67.0 mm
Light center length (LCL)	31.0 mm <sup>1)</sup>

<sup>1)</sup> Distance from the coil to the lug of base

### Additional product data

Base (standard designation)	BA20s
-----------------------------	-------

### Capabilities

Burning position	s135 <sup>1)</sup>
------------------	--------------------

<sup>1)</sup> Lamps with transverse filament should be preferred inclined perpendicular to the filament plane / Only the permissible burning position may be used otherwise the lamp will fail prematurely

### Country specific categorizations

Order reference	SIG 1227 UE CL
-----------------	----------------

## Country specific information

Product code	METEL code	SEG number	STK number	UK Org
--------------	------------	------------	------------	--------

## Product datasheet

---

4008321903990	-	8334830	-	-
4050300831718	OSRSIG1227UE	-	4733782	-
4050300234991	OSRSIG1227UE	-	-	-

---

## Product datasheet

### Safety advice

Use only in equipment/luminaires that are specially designed for the purpose.  
Protect the lamps against moisture during operation and installation.



### Logistical Data

Product code	Product description	Packaging unit (Pieces/Unit)	Dimensions (length x width x height)	Volume	Gross weight
4008321903990	SIG 1227	Unpacked 1	61 mm x 9 mm x 37 mm	0.02 dm <sup>3</sup>	17.00 g
4050300235028	SIG 1227	Shipping carton box 200	535 mm x 285 mm x 481 mm	73.34 dm <sup>3</sup>	4409.00 g
4050300831718	SIG 1227	Unpacked 1	- x - x -		18.00 g
4050300234991	SIG 1227	Folding carton box 10	441 mm x 81 mm x 192 mm	6.86 dm <sup>3</sup>	181.00 g
4050300235004	SIG 1227	Shipping carton box 100	407 mm x 175 mm x 203 mm	14.46 dm <sup>3</sup>	2493.00 g

The mentioned product code describes the smallest quantity unit which can be ordered. One shipping unit can contain one or more single products. When placing an order, for the quantity please enter single or multiples of a shipping unit.

### Disclaimer

Subject to change without notice. Errors and omission excepted. Always make sure to use the most recent release.