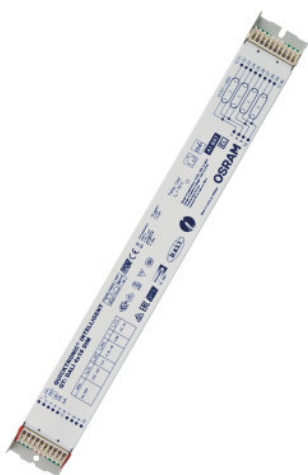


## QTi DALI 4X18 DIM

QUICKTRONIC INTELLIGENT DALI DIM T8 | ECG dimmable DALI for FL 26 mm



### Areas of application

- Suitable for use in emergency lighting systems as per EN 50172/DIN VDE 0108-100
- Installation in emergency lighting systems according to IEC 61347-2-3, appendix J
- Industry
- Open-plan offices, corridors and storage rooms
- Public buildings
- Sports halls and factories
- Strip lighting
- Suitable for luminaires of protection class I

### Product family benefits

- System+ Guarantee available
- Easy integration in luminaire thanks to same dimensions like DALI GI ECG
- TouchDIM function for easy and inexpensive dimming of several ECGs
- Same luminous flux with direct and alternating current
- Dimming of amalgam lamps without flickering or reduced lifespan
- Automatic restart after lamp replacement

### DALI product features

- Control via the DALI interface
- Compliance with the DALI Version-1 and IEC 60929
- Control input protected against overvoltage and polarity reversal (OSRAM ECG)

### Touch DIM and Touch DIM Sensor function

- Manual dimming without controller and with standard switches
- Including memory function (double click) and soft start

## Product datasheet

---

### Product family features

- Corridor function for direct connection of ECG to common motion sensor
- Corridor function with pre-programmed light program
- Touch DIM function for free parameterization of light value and turn on time
- Fit for SMART GRID for feedback of consumed mains power and lamp operating hours
- Fit for emergency function for automatic detection of emergency lighting by ECG
- Very low standby power consumption: < 0.2 W (A1 BAT)
- Lifetime: > 100,000 h (for T = 65 °C at T<sub>c</sub>)
- Very high number of switching cycles: up to 300,000
- Dimming range: 1...100 % (3...100 % with compact fluorescent lamp)
- POWER2LAMP function for optimal matching of ECG power to lamp during lamp lifetime
- Line frequency: 0 Hz, 50...60 Hz, rectified AC

# Product datasheet

## Technical data

### Electrical data

|  |                  |
|--|------------------|
| Input voltage AC                         | 198...264 V      |
| Nominal voltage                          | 220...240 V      |
| Mains frequency                          | 50...60 Hz       |
| Input voltage DC                         | 154...276 V      |
| Operating frequency                      | 40...100 kHz     |
| Max. ECG no. on circuit breaker 10 A (B) | 12 <sup>1)</sup> |
| Max. ECG no. on circuit breaker 16 A (B) | 19 <sup>1)</sup> |
| Inrush current                           | 35 A             |

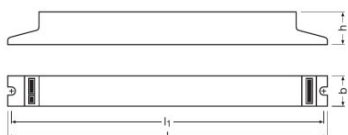
<sup>1)</sup> Type B

### Light technical data

|               |                     |
|---------------|---------------------|
| Starting time | 1.2 s <sup>1)</sup> |
|---------------|---------------------|

<sup>1)</sup> Optimized preheat start

### Dimensions & weight



|                                  |   |
|----------------------------------|---|
| Length                           | 360.0 mm  |
| Width                            | 40.0 mm   |
| Height                           | 21.0 mm   |
| Mounting hole spacing, length    | 350.0 mm  |
| Product weight                   | 374.00 g  |
| Cable cross-section, output side | 0.5...1.5 / 0.5...1.0 mm <sup>2</sup> <sup>1)</sup> |
| Cable cross-section, input side  | 0.5...1.5 / 0.5...1.0 mm <sup>2</sup> <sup>1)</sup> |

<sup>1)</sup> Solid leads / Flexible

### Temperatures & operating conditions

|                           |            |
|---------------------------|------------|
| Ambient temperature range | 0...+50 °C |
|---------------------------|------------|

## Product datasheet

|  |                        |
|--|------------------------|
| Permitted rel. humidity during operation | 5...85 % <sup>1)</sup> |
|--|------------------------|

<sup>1)</sup> Maximum 56 days/year at 85 %

### Lifespan

|              |                        |
|--------------|------------------------|
| ECG lifetime | 100000 h <sup>1)</sup> |
|--------------|------------------------|

<sup>1)</sup> At  $T_{case} = 65^{\circ}C$  at  $T_{c\_point}$  / 10% failure rate

### Expected Lifetime

| Product name      | Lamp group |                              |        |        |       |
|-------------------|------------|------------------------------|--------|--------|-------|
| QTi DALI 4X18 DIM | L 18 W     | ECG ambient temperature [ta] | 40     | 50     | 60    |
|                   |            | Temperature at tc-point [°C] | 55     | 65     | 75    |
|                   |            | Lifetime [h]                 | 100000 | 100000 | 90000 |

### Additional product data

|                                   |      |
|-----------------------------------|------|
| Suitable for lamp power (4 lamps) | 18 W |
|-----------------------------------|------|

### Capabilities

|  |   |
|--|---|
| Dimming interface                      | DALI / Touch DIM / Touch DIM Sensor                                 |
| Dimming range                          | 1...100 % <sup>1)</sup>   |
| Dimmable                               | Yes   |
| Overheating protection                 | Power reduction and switch off at $T > 75^{\circ}C$ at the tc point |
| Suitable for fixtures with prot. class | I   |
| End of lamp life safety shutdown       | EOL T.2   |
| Max. cable length to lamp/LED module   | 1.0 m   |

<sup>1)</sup> Luminous flux

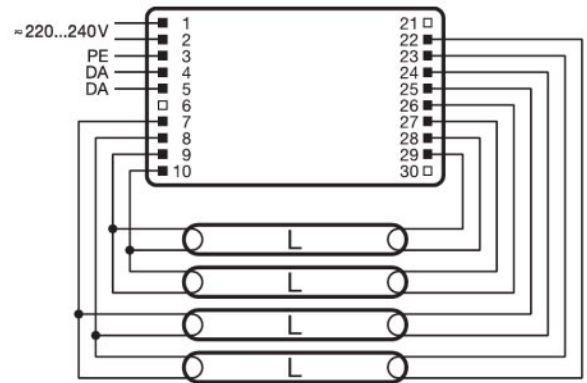
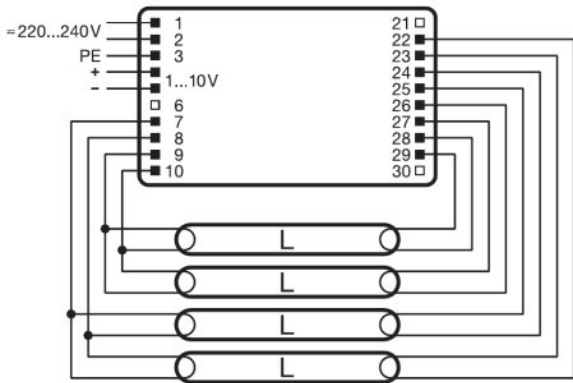
### Certificates & standards

|                           |   |
|---------------------------|---|
| Approval marks – approval | VDE / VDE-EMC / EL / EAC / RCM / CCC  |
| Standards                 | Acc. to EN 61347-2-3/Acc. to EN 60929/Acc. to EN 55015:2006 + A1:2007/Acc. to EN 61000-3-2/Acc. to EN 61547/Acc. to IEC 62386-101:Ed1/Acc. to IEC 62386-102:Ed1 |
| EEL – Energy Label        | A1 BAT  |
| Protection class          | I   |
| Type of protection        | IP20  |

### Logistical data

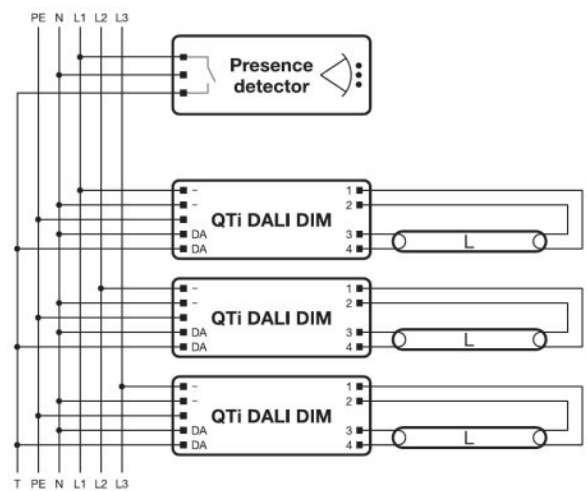
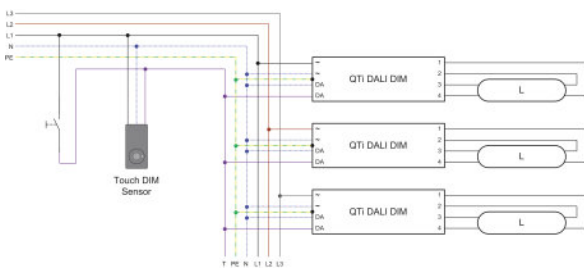
|                |              |
|----------------|--------------|
| Commodity code | 850410809000 |
|----------------|--------------|

Wiring Diagram



Wiring diagram

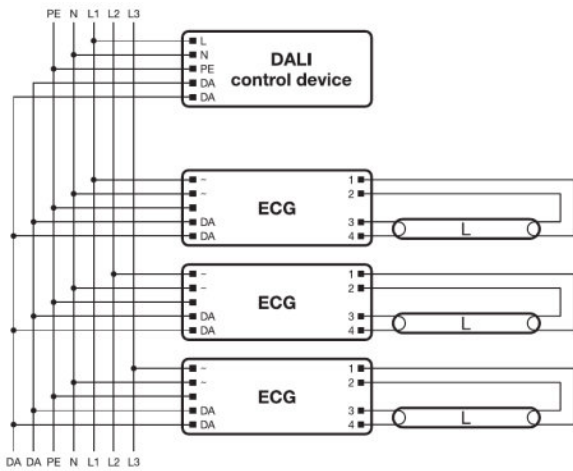
Wiring diagram



Wiring diagram












Wiring diagram

## Product datasheet









### Wiring diagram

### Download Data

| File  |
|---|
|  Addon Technical Information<br>502689_Frequent switching Quicktronic                              |
|  Addon Technical Information<br>502785_ECG lifetime - QUICKTRONIC (DALI) DIM                       |
|  Certificates<br>335097_INOTEC   |
|  Certificates<br>QTI DALI VDE 40021252 210920  |
|  Certificates<br>335135_Manufacturer's declaration &#150; Burning-in of fluorescent lamps          |
|  Certificates<br>335153_Manufacturer's declaration &#150; Low stand-by                             |
|  Certificates<br>335154_Manufacturer's declaration &#150; EN 55015:2006+A1:2007 (300 MHz)          |
|  Certificates<br>335169_Manufacturer's declaration &#150; LampECG combinations: Frequent switching |
|  Certificates<br>335190_Manufacturer's declaration &#150;Additional hints                          |
|  Certificates<br>592319_EAC certificate for Quicktronics QT  |
|  Certificates<br>504208_VDE-EMC-CERTIFICATE QTI DALI DIM   |

## Product datasheet

---

|   |  |
|---|--|
|  | Declarations of conformity<br>334957_Declaration of conformity |
|  | Operating instructions<br>592413_EAC QT <i>i</i> T8 DALI DIM   |
|  | CAD data 3-dim<br>313451_360x40x21 9900042                     |
|  | CAD data 3-dim<br>313478_360x40x21 9900042                     |
|  | CAD data 3-dim<br>314276_360x40x21 9900042                     |
|  | CAD data PDF<br>313387_360x40x21 9900042                       |

---

### Logistical Data

| Product code  | Product description       | Packaging unit (Pieces/Unit) | Dimensions (length x width x height) | Volume               | Gross weight |
|---------------|---------------------------|------------------------------|--------------------------------------|----------------------|--------------|
| 4008321070050 | QT <i>i</i> DALI 4X18 DIM | Shipping carton box<br>20    | 380 mm x 96 mm x 206 mm              | 7.51 dm <sup>3</sup> | 7752.50 g    |

---

The mentioned product code describes the smallest quantity unit which can be ordered. One shipping unit can contain one or more single products. When placing an order, for the quantity please enter single or multiples of a shipping unit.

### References / Links

For more information on the system guarantee and the terms and conditions of the guarantee visit

▶ [www.osram.com/system-guarantee](http://www.osram.com/system-guarantee)

### Disclaimer

Subject to change without notice. Errors and omission excepted. Always make sure to use the most recent release.

## QTi DALI 4X18 DIM

QUICKTRONIC INTELLIGENT DALI DIM T8 | ECG dimmable DALI for FL 26 mm

| Product name      | Lamp group   | Nominal current | Nominal wattage + Power loss | Luminous flux at 35 °C | Number of lighting outlets |
|-------------------|--------------|-----------------|------------------------------|------------------------|----------------------------|
| QTi DALI 4X18 DIM | DULUX F 18 W | 0.31 A          | 69.30 W                      | 1100 lm                | 4                          |
|                   | DULUX L 18 W | 0.31 A          | 69.30 W                      | 1200 lm                | 4                          |
|                   | L 18 W       | 0.31 A          | 69.30 W                      | 1350 lm                | 4                          |
|                   | L 18 W XT    | 0.31 A          | 69.30 W                      | 1350 lm                | 4                          |