

QTi DALI-T/E 2X18...42 DIM

QUICKTRONIC INTELLIGENT DALI DIM CFL | ECG dimmable DALI for CFL



Areas of application

- Suitable for use in emergency lighting systems as per EN 50172/DIN VDE 0108-100
- Installation in emergency lighting systems according to IEC 61347-2-3, appendix J
- Open-plan offices, corridors and storage rooms
- Public buildings
- Suitable for luminaires of protection class I

Product benefits

- System+ Guarantee available
- Easy integration in luminaire thanks to same dimensions like DALI GI ECG

DALI product features

- Control via the DALI interface
- Compliance with the DALI standard to IEC 60929 and IEC 62386
- Control input protected against overvoltage and polarity reversal (OSRAM ECG)

Touch DIM and Touch DIM Sensor function

- Manual dimming without controller and with standard switches
- Including memory function (double click) and soft start

Product features

- Corridor function for direct connection of ECG to common motion sensor
- Corridor function with pre-programmed light program
- Touch DIM function for free parameterization of light value and turn on time
- Fit for SMART GRID for feedback of consumed mains power and lamp operating hours
- Fit for Emergency function for automatic detection of emergency lighting by ECG

Product datasheet

- Very low standby power consumption: < 0.2 W (A1 BAT)
- Lifetime: > 100,000 h (for T = 65 °C at T_c)
- Very high number of switching cycles: up to 300,000
- Dimming range: 1...100 % (3...100 % with compact fluorescent lamp)
- POWER2LAMP function for optimal matching of ECG power to lamp during lamp lifetime
- Line frequency: 0 Hz, 50...60 Hz, rectified AC

Product datasheet

Technical data

Electrical data

Nominal voltage	220...240 V
Mains frequency	50...60 Hz
Input voltage DC	154...276 V
Operating frequency	42...140 kHz
Max. ECG no. on circuit breaker 10 A (B)	8 ¹⁾
Max. ECG no. on circuit breaker 16 A (B)	13 ¹⁾
Inrush current	45 A

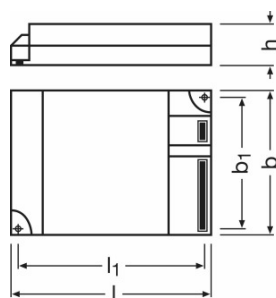
¹⁾ Type B

Light technical data

Starting time	0.6 s ¹⁾
---------------	---------------------

¹⁾ Optimized preheat start

Dimensions & weight



Length	123.0 mm
Width	79.0 mm
Height	33.0 mm
Mounting hole spacing, length	129.5 mm
Mounting hole spacing, width	67.0 mm
Product weight	247.00 g
Wire preparation length, input side	8.5...9.5 mm ¹⁾
Wire preparation length, output side	8.5...9.5 mm ¹⁾
Cable cross-section, input side	0.5...1.5 mm ²

¹⁾ Wire cross-section for push-in contacts: 0.5...1.5 mm²

Temperatures & operating conditions

Product datasheet

Ambient temperature range	+10...+50 °C
Permitted rel. humidity during operation	5...85 %

Lifespan

ECG lifetime	100000 h ¹⁾
---------------------	------------------------

¹⁾ At tcase = 65°C at tc point / 10 % failure rate

Expected Lifetime

Product name	Lamp group				
ZMP_56472 QT _i DALI FC DUL 2 220-240V	FC 22 W	ECG ambient temperature [ta]	40	50	60
		Temperature at tc-point [°C]	60	70	75
		Lifetime [h]	100000	100000	80000
	FC 40 W	ECG ambient temperature [ta]	40	50	60
		Temperature at tc-point [°C]	60	70	75
		Lifetime [h]	100000	100000	80000

Additional product data

Product remark	Optional cable clamp, see chapter ECG mountings - cable clamp
-----------------------	---

Capabilities

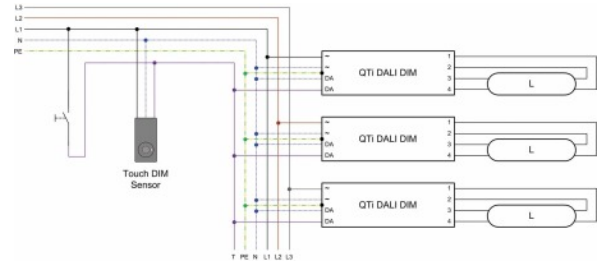
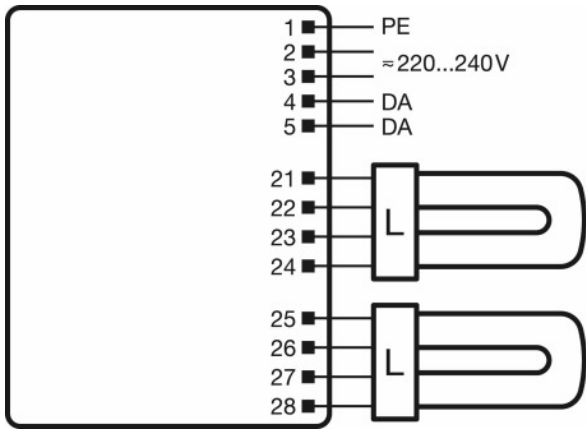
Dimming interface	DALI / Touch DIM / Touch DIM Sensor
Dimming range	3...100 % ¹⁾
Dimmable	Yes
Overheating protection	Yes
Suitable for fixtures with prot. class	I
End of lamp life safety shutdown	EOL T.2

¹⁾ Luminous flux

Certificates & standards

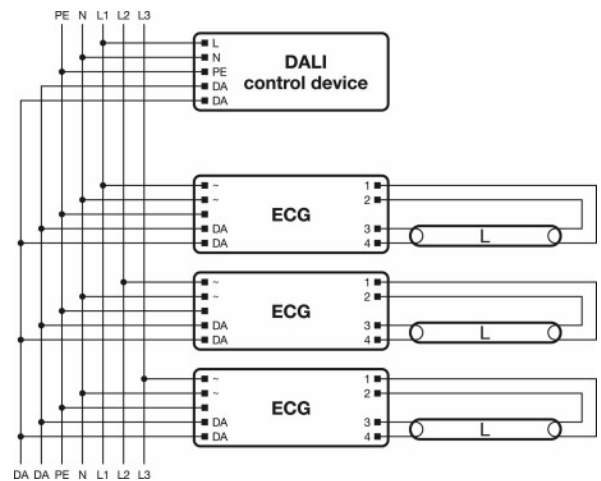
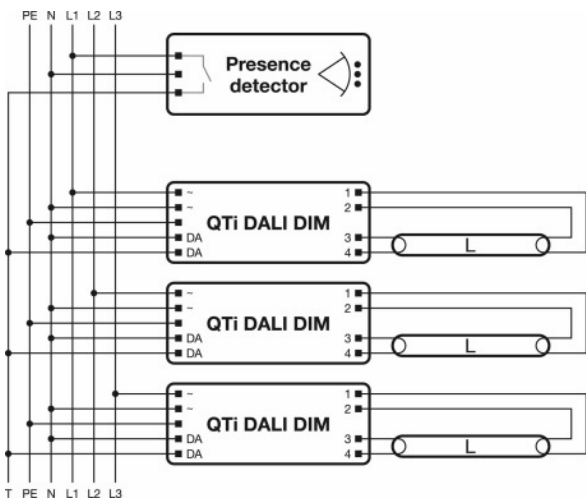
Approval marks – approval	VDE / VDE-EMC / ENEC 10 / EL / GOST / RCM / CCC
EEL – Energy Label	A1 BAT
Standards	Acc. to EN 61347-2-3/Acc. to EN 60929/Acc. to EN 55015:2006 + A1:2007/Acc. to EN 61000-3-2/Acc. to EN 61547
Protection class	I
Type of protection	IP20

Wiring Diagram



Wiring diagram

Wiring diagram



Wiring diagram

Wiring diagram

[Download Data](#)

Product datasheet

File	
	Addon Technical Information Frequent switching Quicktronic
	Addon Technical Information ECG lifetime - QUICKTRONIC (DALI) DIM
	Certificates EMC-Marks approval
	Certificates INOTEC
	Certificates ENECVDE-Marks approval
	Certificates Manufacturer's declaration Burning-in of fluorescent lamps
	Certificates Manufacturer's declaration Low stand-by
	Certificates Manufacturer's declaration EN 55015:2006+A1:2007 (300 MHz)
	Certificates Manufacturer's declaration Lamp T5 FC QT _i -TE DALI...DIM ECG combinations
	Certificates Manufacturer's declaration LampECG combinations: Frequent switching
	Certificates Manufacturer's declaration Additional hints
	Certificates VDE-EMC-CERTIFICATE QT _i DALI DIM
	Declarations of conformity Declaration of conformity
	Installation/Operation notice Technical application guide QUICKTRONIC Intelligent DALI DIM (GB)
	Operating instructions EAC QT _i DALI TE DIM
	CAD data 3-dim QT _i DALI-TE 2x18-42 DIM
	CAD data 3-dim QT _i DALI-TE 2x18-42 DIM
	CAD data 3-dim QT _i DALI-TE 2x18-42 DIM
	CAD data PDF Ti DALI-TE 2x18-42 DIM

Logistical Data

Product datasheet

Product code	Product description	Packaging unit (Pieces/Unit)	Dimensions (length x width x height)	Volume	Gross weight
4008321060822	QTi DALI-T/E 2X18...42 DIM	Shipping carton box 20	428 mm x 78 mm x 257 mm	8.58 dm ³	4700.00 g

The mentioned product code describes the smallest quantity unit which can be ordered. One shipping unit can contain one or more single products. When placing an order, for the quantity please enter single or multiples of a shipping unit.

References / Links

For more information on the system guarantee and the terms and conditions of the guarantee visit

- ▶ www.osram.com/system-guarantee

Disclaimer

Subject to change without notice. Errors and omission excepted. Always make sure to use the most recent release.

QTi DALI-T/E 2X18...42 DIM

QUICKTRONIC INTELLIGENT DALI DIM CFL | ECG dimmable DALI for CFL

Product name	Lamp group	Nominal current	Nominal wattage + Power loss	Luminous flux at 25 °C	Number of lighting outlets	Luminous flux at 35 °C
ZMP_56472 QTi DALI FC DUL 2 220-240V	DULUX D/E 18 W	0.17 A	38.00 W	2*1200 lm	2	
	DULUX D/E 26 W	0.25 A	56.00 W	2*1800 lm	2	
	DULUX L 24 W	0.22 A	51.00 W		2	1200 lm
	DULUX L 40 W	0.38 A	87.00 W		2	3500 lm
	DULUX T/E 18 W	0.17 A	38.00 W	1200 lm	2	
	DULUX T/E 26 W	0.25 A	56.00 W	1800 lm	2	
	DULUX T/E 26 W CONSTANT	0.25 A	56.00 W	1800 lm	2	
	DULUX T/E 32 W	0.30 A	69.00 W	2400 lm	2	
	DULUX T/E 32 W CONSTANT	0.30 A	69.00 W	2400 lm	2	
	DULUX T/E 32 W XT	0.30 A	69.00 W	2400 lm	2	
	DULUX T/E 42 W	0.39 A	90.00 W	3200 lm	2	
	DULUX T/E 42 W CONSTANT	0.39 A	90.00 W	3200 lm	2	
	FC 22 W	0.22 A	51.00 W		2	1800 lm
	FC 40 W	0.38 A	87.00 W		2	3200 lm