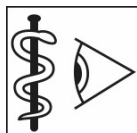

93637 150 W 21 V

Halogen lamps with reflector MR16



Product features

- Xenon instead of krypton as the filler gas (XENOPHOT HLX versions)
- Luminous flux up to 10 % higher with same power consumption (XENOPHOT HLX versions)



Product datasheet

Technical data

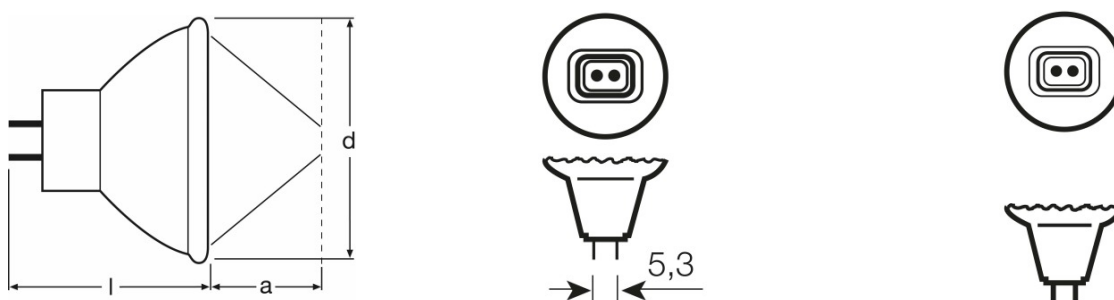
Electrical data

Nominal wattage	150 W
Nominal voltage	21.0 V

Light technical data

Focal length	44.5 mm
--------------	---------

Dimensions & weight



Diameter	51.0 mm
Length	44.5 mm

Lifespan

Lifespan	100 h
----------	-------

Additional product data

Coating	Dichroic
Base (standard designation)	GX5.3

Capabilities

Cooling	Convection
Burning position	s90

Certificates & standards

EEI – Energy Label	E
--------------------	---

Country specific categorizations

ANSI code	EJV
-----------	-----

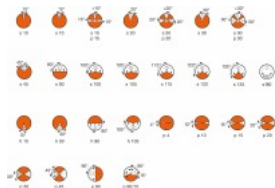
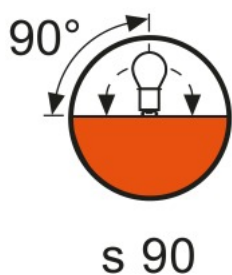
Product datasheet

Order reference	93637 150W 21V
------------------------	----------------

Country specific information

Product code	METEL code	SEG-No.	STK-Number	UK Org
4050300350097	OSRH93637	-	-	-

Product datasheet



Logistical Data

Product code	Product description	Packaging unit (Pieces/Unit)	Dimensions (length x width x height)	Volume	Gross weight
4008321106070	93637 150 W 21 V	Folding carton box 1	- x - x -		
4008321106087	93637 150 W 21 V	Shipping carton box 24	190 mm x 150 mm x 130 mm	3.71 dm ³	860.00 g
4050300350097	93637 150 W 21 V	Folding carton box 1	58 mm x 47 mm x 48 mm	0.13 dm ³	30.00 g
4050300350103	93637 150 W 21 V	Shipping carton box 24	197 mm x 131 mm x 152 mm	3.92 dm ³	826.00 g

The mentioned product code describes the smallest quantity unit which can be ordered. One shipping unit can contain one or more single products. When placing an order, for the quantity please enter single or multiples of a shipping unit.

References / Links

For further technical information please refer to the following OSRAM brochure:

“Technology and applications, Low-voltage tungsten-halogen lamps”

“Halogen lamps, low and medium voltage for entertainment, technical and medical applications” cross reference list

Disclaimer

Subject to change without notice. Errors and omission excepted. Always make sure to use the most recent release.