
DECOSTAR 35 10 W 12 V 36° GU4

DECOSTAR 35 | Halogen dichroic reflector lamps with 35 mm diameter



Areas of application

- General illumination
- Workplace lighting
- Kitchen lighting
- Mirror lighting
- Object lighting
- Shops
- Restaurants, hotels and similar prestigious applications

Product benefits

- Brilliant accent light
- Dichroic reflector reduces the heat in the light beam by up to 66 %
- Approved for use in open luminaires (to IEC 60598-1)
- UV filter
- Contains no mercury

Product features

- Average life: 2,000 h
- 100 % dimmable
- Color rendering index R_a : 100

Product datasheet

Technical data

Electrical data

Nominal wattage	10.00 W
Nominal voltage	12 V
Rated wattage	10.00 W
Power factor λ	1.00

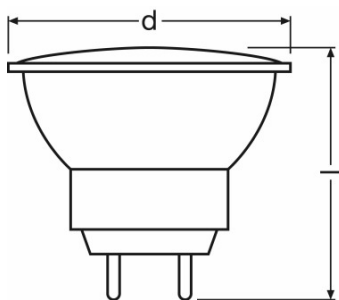
Photometrical data

Nominal useful luminous flux 90°	90 lm
Luminous intensity	300 cd
Color temperature	2800 K
Light color as per EN 12464-1	Warm White
Color rendering index Ra	100
Rated useful luminous flux 90°	90 lm

Light technical data

Beam angle	36 °
Starting time	0.0 s
Warm-up time (60 %)	0.00 s

Dimensions & weight



Diameter	35.0 mm
Length	40.0 mm
Overall length	42.0 mm
Outer bulb	T9
Maximum diameter	35.0 mm

Lifespan

Product datasheet

Nominal lamp life time	2000 h
Rated lamp life time	2000 h
Number of switching cycles	50000 ¹⁾
Lumen main.fact.at end of nom.life time	0.75

¹⁾ At 1 min on / 3 min off

Additional product data

Base (standard designation)	GU4
Lamp mercury content	0.0 mg
Mercury-free	Yes

Capabilities

Burning position	Any
Dimmable	Yes

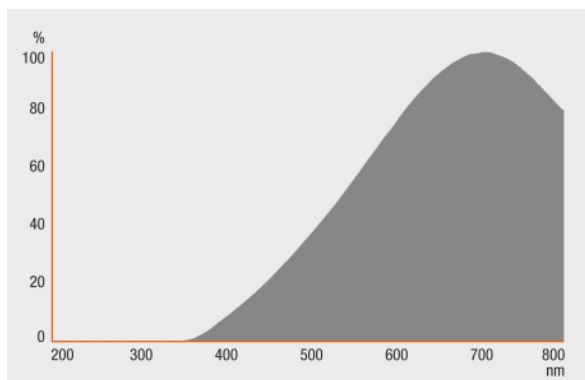
Certificates & standards

Energy efficiency class	B
Energy consumption	11 kWh/1000h

Country specific categorizations

ILCOS	HRGS//UB-10-12-GU4-35/36
Order reference	44888 WFL 10W 1

Light Distribution



Spectral power distribution

Logistical Data

Product code	Product description	Packaging unit (Pieces/Unit)	Dimensions (length x width x height)	Volume	Gross weight
4050300443935	DECOSTAR 35 10 W 12 V 36° GU4	Shipping carton box 10	178 mm x 69 mm x 72 mm	0.88 dm ³	227.40 g

The mentioned product code describes the smallest quantity unit which can be ordered. One shipping unit can contain one or more single products. When placing an order, for the quantity please enter single or multiples of a shipping unit.

References / Links

For light distribution curves see

▶ www.osram.com

Disclaimer

Subject to change without notice. Errors and omission excepted. Always make sure to use the most recent release.