
PTi 2X35/220...240 I

POWERTRONIC INTELLIGENT PTi I | ECG for HID lamps, with cable clamp



Areas of application

- Shop lighting
- Health and fitness areas (in dry, corrosion-protected place)
- Effect and accent lighting

Product benefits

- Extended terminal section enables mains looping
- Screw-down cable clamps for reliable strain relief
- Long reliable life at maximum permitted temperatures
- Automatic safety shutdown of lamps in the event of a defect or at end of life (EoL)

Product features

- Energy Efficiency Index EEI: A2
- Supply voltage: 220...240 V
- Line frequency: 50...60 Hz
- RI suppression: to EN 55015/CISPR 15
- Safety: to EN 61347-2-12
- Line harmonics according to EN 61000-3-2
- Immunity according to EN 61547

Technical data

Electrical data

Lamp wattage	2*39 W
Line current	0.40 A ¹⁾
Ignition voltage	4.5 kVp
Operating frequency	0.165 kHz
System wattage	86.00 W
ECG efficiency	91 %
Input voltage AC	220...240 V
Input voltage range AC	198...254 V
Mains frequency	50...60 Hz
Power factor λ	0.95 ²⁾
Inrush current	40 A ³⁾
Max. no. of ECGs on circuit breaker 10 A	7 ⁴⁾
Max. no. of ECGs on circuit breaker 16 A	13 ⁴⁾
Max. no. of ECGs on 16A MCB with EBN-OS	32 ⁴⁾
Protective conductor current	0.5 mA
U-OUT (working voltage)	250 V
Max. working voltage between LH and LL	250 V
Max. working voltage betw. LL/LH & earth	250 V
Max. capacitance of wire ECG/lamp	120 pF

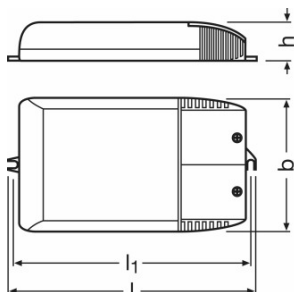
1) At 230 V_{AC}

2) Minimum

3) $t_{width} = 250 \mu s$ (measured at 50 % I_{peak})

4) Type B

Dimensions & weight



Length	223.0 mm
Width	96.0 mm

Product datasheet

Height	32.0 mm
Mounting hole spacing, length	215.0 mm
Cable cross-section, input side	0.75...2.5 mm ²
Cable cross-section, output side	0.75...2.5 mm ²
Wire preparation length, input side	10...11 mm
Wire preparation length, output side	10...11 mm
Product weight	440.00 g

Colors & materials

Casing material	Plastic
-----------------	---------

Temperatures

Ambient temperature range	-25...+55 °C
Maximum temperature at tc test point	70 °C

Lifespan

ECG lifetime	50000 h ¹⁾
--------------	-----------------------

¹⁾ At maximum T_c / 10 % failure rate

Additional product data

Design / version	With cable clamp
Available until	2014-12-31 ¹⁾

¹⁾ Last order until December 1st, 2014

Capabilities

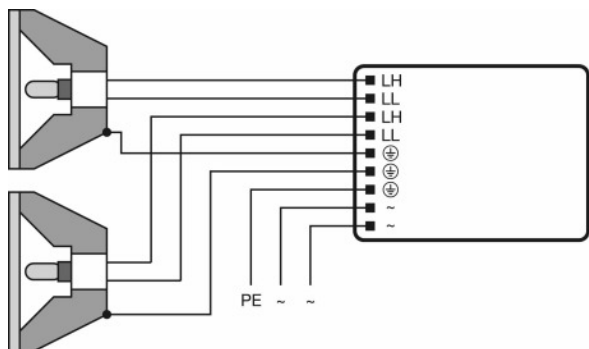
Max. cable length to lamp/LED module	1.5 m
Overheating protection	Power reduction and switch off at T > 70 °C at the tc point
ECG reset time	> 0.5 s
Cable types, input side	NYM-J 3x1.5 / NYM-J 3x2.5 / H05VV-F 3x1.5 / NHXMH-J 3x1.5 mm ²
Cable types, output side	SIHF-J 3x1.5 / SIHF-J 3x2.5 / SIHSI 3x1.0 mm ²
Dimmable	No
Restriction on ignition time	20 min
Suitable for fixtures with prot. class	I

Certificates & standards

Approval marks – approval	ENEC 10 / VDE / VDE-EMC / GOST / C-Tick
Type of protection	IP20
EEL – Energy Label	A2

Standards	Acc. to EN 61347-2-12/Acc. to EN 55015/Acc. to EN 61000-3-2/Acc. to EN 61547/Acc. to EN 62493
------------------	---

Wiring Diagram



Wiring diagram




Thermal characteristics

Ballast losses and lamp heat radiation can lead to heat accumulation in a completely closed case. Therefore it is necessary to ensure that the temperature at the measuring point t_c of the ECG does not exceed the maximum value.

Attention!

For safety reasons disconnect the device before replacing the lamp!

Download Data

File	
	Certificates EMC-Marks approval
	Certificates PTi - PTo - PTg VDE-ENEC-Cert
	Declarations of conformity Declaration of conformity PTi 2x35, PTi 2x70

Product datasheet



Installation/Operation notice
Technical guide - POWERTRONIC for HID-lamps (GB)



CAD data
PTi 2x35 I, PTi 2x70 I



CAD data
PTi 2x35 I, PTi 2x70 I



CAD data PDF
PTi 2x35 I, PTi 2x70 I

Logistical Data

Product code	Product description	Packaging unit (Pieces/Unit)	Dimensions (length x width x height)	Volume	Gross weight
4008321372666	PTi 2X35/220...240 I	Shipping carton box 20	496 mm x 100 mm x 479 mm	23.76 dm ³	10005.00 g

The mentioned product code describes the smallest quantity unit which can be ordered. One shipping unit can contain one or more single products. When placing an order, for the quantity please enter single or multiples of a shipping unit.

Disclaimer

Subject to change without notice. Errors and omission excepted. Always make sure to use the most recent release.