

# Technical Information

No. 5873

Edition: 03/15 - subject to change

Substitutes: 09 / 14

Status: Released

# Xenon Short Arc Lamp

## XBO<sup>®</sup> 4000 W/DHP L OFR

### ■ Product description

The OSRAM XBO<sup>®</sup> 4000W/DHP L OFR is a DC-operated lamp, which especially has been designed for applications, requiring highest level of performance in luminance and excellent arc stability. The XBO<sup>®</sup> 4000W/DHP L OFR will fit the latest technical digital cinema projection requirements and will perform best within Barco digital projectors (DP2K-11CX; DP2K-18CX; DP2K-20C; DP2K/DP4K-19B; DP2K/DP4K-23B).

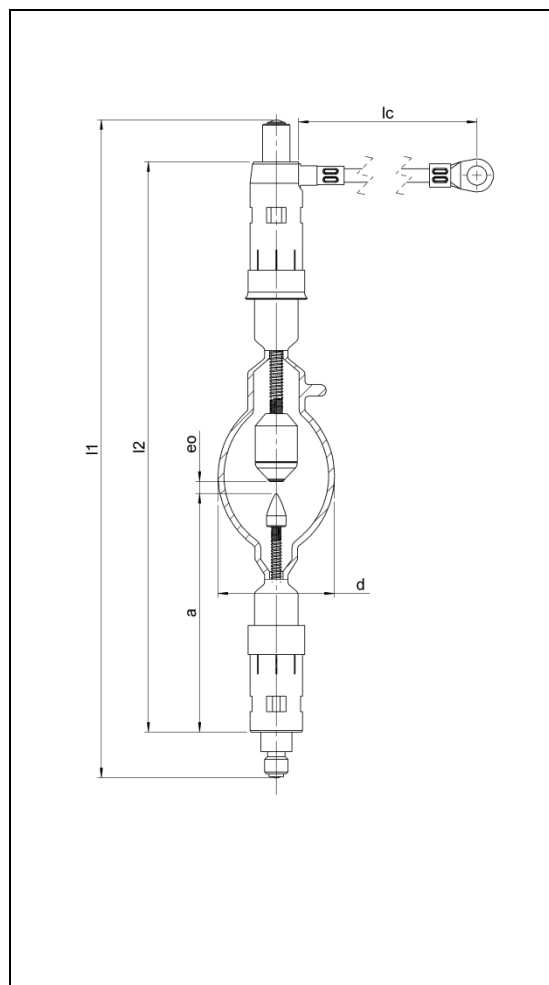
### ■ Technical data

Order reference	XBO <sup>®</sup> 4000 W/DHP L OFR	
Minimum lamp wattage	W	2940
Maximal lamp wattage	W	4200
Rated lamp voltage	V	33
Rated lamp current (DC) <sup>1)</sup>	A	128
Current control range	A	95 - 137
Ignition voltage	kV <sub>p</sub>	40
Min. open circuit voltage for ignition	V	120
Electrode gap e (cold)	mm	6,2
Lamp length (overall) l <sub>1</sub>	mm	max. 345
Lamp length l <sub>2</sub>	mm	max. 295
Cable length l <sub>c</sub>	mm	130+-5
LCL a	mm	123
Bulb diameter d	mm	60
Warranty	h	1300
Service Warranty Lifetime <sup>2)</sup>	h	1500
Base	Cathode:	SFc 27-16/55
	Anode:	SFa X 27-14x71

Anode side cable 130 mm

<sup>1)</sup> Using electronic rectifier with low current ripple.

<sup>2)</sup> Covers rupture effects in the projector, like reflector and first filter in front of the lamp.



### ■ Lamp operation

Maximum permissible base temperature	230°C
Cooling	forced cooling / fan
Min. air flow velocity around discharge vessel	7 m/s
Magnetic arc stabilization	necessary for horizontal operation
Burning position	s 15 (vertical ± 15°; anode up) ; p 15 (horizontal ± 15°)

Detailed electrical lamp operation as described in our Guidelines for Power Supplies and Igniters, no. DO GL- 5550