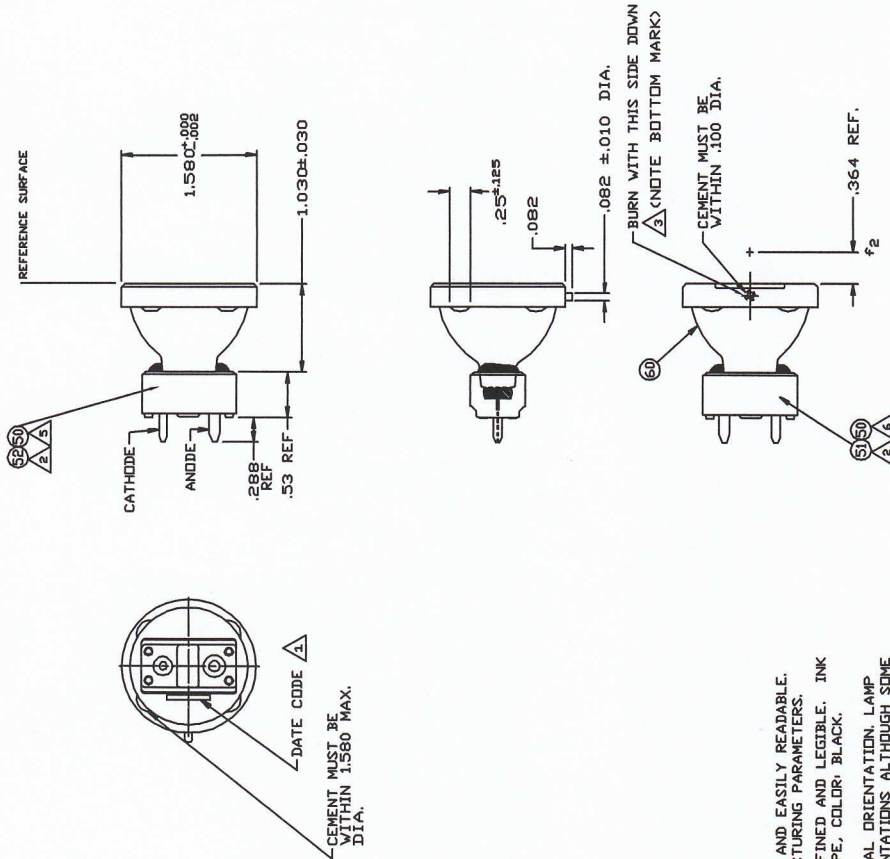


C		09500		B		
REV	REVISION	DESCRIPTION	ECN	INVT	DATE	APPROVAL
A	RELEASE TO PRDD		9-	PMB	3/7/96	D. RUTAN
B	ADDED SPEC SHEET INFO		1000	CJR	10/2/03	C. STEWART
C	ADDED NOTES 5 AND 6		100-	GWB	6/5/06	J. RYAN

PROPRIETARY TO WELCH ALLYN
INTERNAL USE ONLY. DO NOT COPY OR DISTRIBUTE

NOMINAL SPECIFICATIONS	
INITIAL MEASUREMENTS USING B24ND01 BALLAST ANODE TIP FORCED COOLED TO 500 ±50 °F	
WATTAGE	24 ±1
LUX THRU 2PHM APERTURE	1.08 E 8 AVG
X CHRDM	.32
Y CHRDM	.33
MAINTENANCE AFTER 100 HRS.	85% AVG.
MEDIAN LIFE NOT MORE THAN 50% BELOW	300 HRS.
SPOT SIZE TO 50% OF CENTER LUX	2mm



NOTES:

1. DATE CODE PERMANENTLY MARKED AND EASILY READABLE. TRACEABLE BACK TO ALL MANUFACTURING PARAMETERS.
2. ALL CHARACTERS TO BE WELL DEFINED AND LEGIBLE. INK TO BE PERMANENT, FAST-DRY TYPE, COLOR: BLACK.
3. LAMP IS SPECIFIED IN HORIZONTAL ORIENTATION. LAMP MAY BE OPERATED IN OTHER ORIENTATIONS ALTHOUGH SOME VARIATION IN PERFORMANCE MAY OCCUR.
4. NOTIFY THE MEDICAL PRODUCTS DIVISION OF ANY DOCUMENTED CHANGES RELATING TO FORM, FIT OR FUNCTION.
5. STAMP THE 'SYMBOLS' MARKING ONTO THIS LOCATION
6. STAMP THE 'PART NUMBER' MARKING ONTO THIS LOCATION

MATERIAL		FINISH		APPLICATION	
UNLESS OTHERWISE SPECIFIED		UNLESS OTHERWISE SPECIFIED		UNLESS OTHERWISE SPECIFIED	
1	METRIC DIMENSIONS (WHEN USED) ARE IN $\langle \rangle$.	1	UNLESS OTHERWISE SPECIFIED DIMENSIONS ARE IN INCHES	1	UNLESS OTHERWISE SPECIFIED DIMENSIONS ARE IN INCHES
2	DIMENSIONS INCLUDE PLATING.	2	TOLERANCES ON DIMENSION	2	TOLERANCES ON DIMENSION
3	REMOVE BURRS & SHARP EDGES.	3	UP TO .6 ± .02 ± .005 APPROVED	3	UP TO .6 ± .02 ± .005 APPROVED
4	THREADS ARE UNIFIED SERIES AND INCLUDE PLATING.	4	.6 TO .84 ± .03 ± .010	4	.6 TO .84 ± .03 ± .010
5	EXTERNAL THDS = CLASS-E A	5	ABOVE .84 ± .06 ± .015	5	ABOVE .84 ± .06 ± .015
6	INTERNAL THDS = CLASS-E B	6	ANGLES ± 1/2 DEGREE	6	ANGLES ± 1/2 DEGREE
GROUP PART		GROUP PART		GROUP PART	
NEXT ASSY		NEXT ASSY		NEXT ASSY	
DTY		DTY		DTY	
USED ON		USED ON		USED ON	
DO NOT SCALE		DO NOT SCALE		DO NOT SCALE	
PART NUMBER		PART NUMBER		PART NUMBER	
DESCRIPTION		DESCRIPTION		DESCRIPTION	
LIST OF MATERIAL		LIST OF MATERIAL		LIST OF MATERIAL	
DATE		DATE		DATE	
3/4/96		3/4/96		3/4/96	
WELCH ALLYN, INC.		WELCH ALLYN, INC.		WELCH ALLYN, INC.	
SKANEATELES FALLS, NY, U.S.A.		SKANEATELES FALLS, NY, U.S.A.		SKANEATELES FALLS, NY, U.S.A.	
TITLE:		TITLE:		TITLE:	
24 WATT LAMP REFLECTOR/CERAMIC RING		24 WATT LAMP REFLECTOR/CERAMIC RING		24 WATT LAMP REFLECTOR/CERAMIC RING	
DRAWING NO. 09500-U		DRAWING NO. 09500-U		DRAWING NO. 09500-U	
REV. C		REV. C		REV. C	
SHEET 3 OF 4		SHEET 3 OF 4		SHEET 3 OF 4	