

# Halogen lamps

# HV Dichroic and aluminium Reflector TWISTline



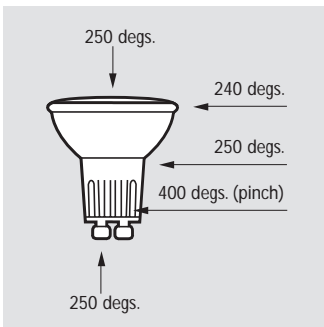
Mains-voltage halogen reflector lamp with a quartz burner optically positioned in a hard-coated dichroic full-glass reflector and with a curved, clear front glass with a GZ10 lamp base. There is also an aluminium coated version available with a GU10 lamp base, which directs most of its heat to the front. With their distinct MR 16 look, the cool-beam and aluminium TWISTline are the most compact lamps of their kind available. Because the lamp can be connected directly to the mains supply, the use of bulky and costly transformers is not necessary and offers benefits for both consumers as well as luminaire manufacturers.

The cool-beam and aluminium coatings provide a constant light quality over lifetime. Both the coatings remain bright and shining. The TWISTline conforms with IEC 598 for use in open luminaires. An additional front glass or UV-filter is not required, because the lamp is UV-Block. Built-in double fuses offer additional safety at end of life. The front glass also provides protection against touching the burner and dust/moisture. TWISTline's special GU10 and GZ10 base ensures good retention in the luminaire and easy insertion and replacement (twist and take out). **An instruction on the luminaire is required as to which lamp should be used (cool beam and/or aluminium).**

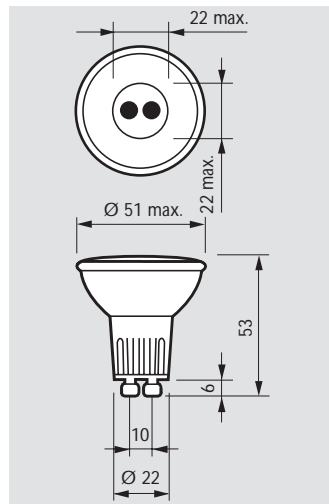
with GZ10 base



with GU10 base



Max. permissible temperatures



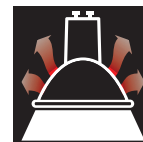
Dimensions in mm

The special quartz burner U shaped design supports the filament in two places ensuring stable lifetime and better shock resistance. TWISTline's high performance reflector with hard dichroic coating provides a defined, homogeneous beam and gives a beautiful appearance in open luminaire constructions with sparkling effects and a controlled spill light at the back.

### Applications

- Accent and general lighting in:
- Homes
  - Hotels
  - Bars
  - Restaurants

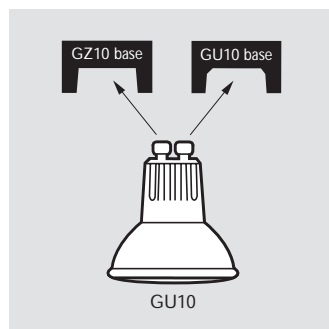
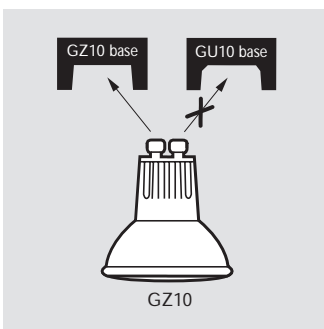
Dichroic Cool-beam



Aluminium



For use in open luminaire



### Packing data

Qty	Gross weight kg	Dimensions individual box l x w x h (mm)	Volume m <sup>3</sup>
50	2.57	46 x 46 x 60	0.009

Industrial pack and blister on request.

# Halogen lamps

# HV Dichroic and aluminium Reflector TWISTline

Commercial name	Type	Voltage		Beam angle	Cap/base	Max. luminous intensity cd	Correlated colour temperature K	Lamp life 50% h	Icos code	EOC
		V	W							
<b>Dichroic / Cool-beam</b>										
TWISTline Dichro	14563	230	50	25°	GZ10	1000	2900	2000	HRGI-50-230-GZ10/50 25	411761
TWISTline Dichro	14564	230	50	50°	GZ10	600	2900	2000	HRGI-50-230-GZ10/50 50	411778
TWISTline Dichro	14561	240	50	25°	GZ10	1000	2900	2000	HRGI-50-240-GZ10/50 25	411785
TWISTline Dichro	14562	240	50	50°	GZ10	600	2900	2000	HRGI-50-240-GZ10/50 50	411792
<b>Aluminium</b>										
TWISTline Alu	14709	230	40	25°	GU10	550	2800	2000	HARI-40-230-GU10/50 25	430373
TWISTline Alu	14710	240	40	25°	GU10	550	2800	2000	HARI-40-240-GU10/50 25	430403
TWISTline Alu	14711	230	40	50°	GU10	350	2800	2000	HARI-40-230-GU10/50 50	430434
TWISTline Alu	14712	240	40	50°	GU10	350	2800	2000	HARI-40-240-GU10/50 50	430465
TWISTline Alu	14602	230	50	25°	GU10	1000	2800	2000	HARI-50-230-GU10/50 25	412508
TWISTline Alu	14603	230	50	50°	GU10	600	2800	2000	HARI-50-230-GU10/50 50	412584
TWISTline Alu	14604	240	50	25°	GU10	1000	2800	2000	HARI-50-240-GU10/50 25	412539
TWISTline Alu	14605	240	50	50°	GU10	600	2800	2000	HARI-50-240-GU10/50 50	412614

**Notes:**

- \* All types designed for 230V (240V) supply. Lamp characteristics given are for 230V (240V) supply.
- \* Numerical technical data given are average values and do not refer to single lamps.
- \* Manufacturer reserves the right to change specifications without prior notice.

