



TUV PL-S

TUV PL-S 13W 2P 1CT

TUV PL-S lamps are compact UVC (germicidal) lamps used in residential water and air disinfection units. The compact size of the lamp allows for a small system design and design flexibility. TUV PL-S lamps offer constant UV output over their complete lifetime, for maximum security of disinfection and high system efficacy. Thanks to the single-ended lamp base, lamp replacement is easy.

Product data

• General Characteristics

Cap-Base	GX23
Cap-Base Information	2 Pins
Bulb	2xT12
Execution	2 Pins
Main Application	Disinfection
Useful Life	9000 hr

• Light Technical Characteristics

Color Code	TUV
Color Designation (text)	-

• Electrical Characteristics

Watts	13 W
Lamp Wattage Technical	13.0 W
Lamp Voltage	56 V
Lamp Current	0.29 A

• UV-related Characteristics

UV-C Radiation	3.4 W
----------------	-------

• Product Dimensions

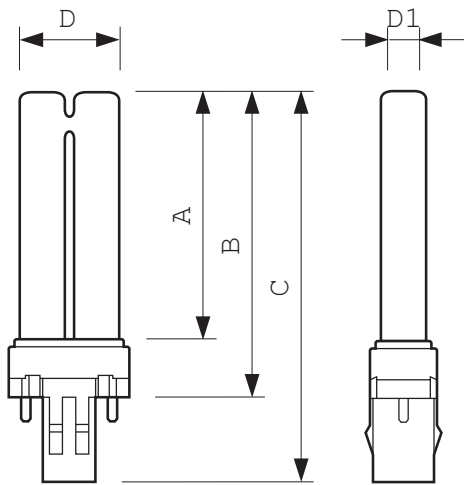
Base Face to Base Face A	139.5 (max) mm
Insertion Length B	155.2 (max) mm
Overall Length C	178.2 (max) mm
Diameter D	28 (max) mm
Diameter D1	13 (max) mm

• Product Data

Product number	135020
Full product name	TUV PL-S 13W/2P 1CT
Short product name	TUV PL-S 13W/2P 1CT/6X10BOX
Pieces per Sku	1
eop_pck_cfg	6X10CC
Skus/Case	60
Bar code on pack	8711500867230
Bar code on intermediate pack	8711500867247
Bar code on case	8711500867254
Logistics code(s)	927902804007
eop_net_weight_pp	32.000 gr

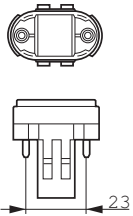
Dimensional drawing

Dimensional drawing



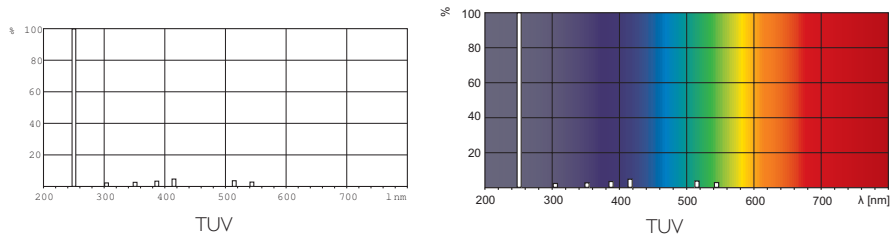
TUV PL-S 13W 2P 1CT

Product	A (Max)	B (Max)	C (Max)	D (Max)	D1 (Max)
TUV PL-S 13W/2P	139.5	155.2	178.2	28	13



GX23

Photometric data



© 2013 Koninklijke Philips Electronics N.V.
All rights reserved.

Specifications are subject to change without notice. Trademarks are the property of Koninklijke Philips Electronics N.V. or their respective owners.

www.philips.com/lighting

2013, May 17
data subject to change