

Technical Information

No. FO 5797

Edition: 07/14- subject to change

Supersedes: 01/14

Status: valid

Mercury Discharge Lamp

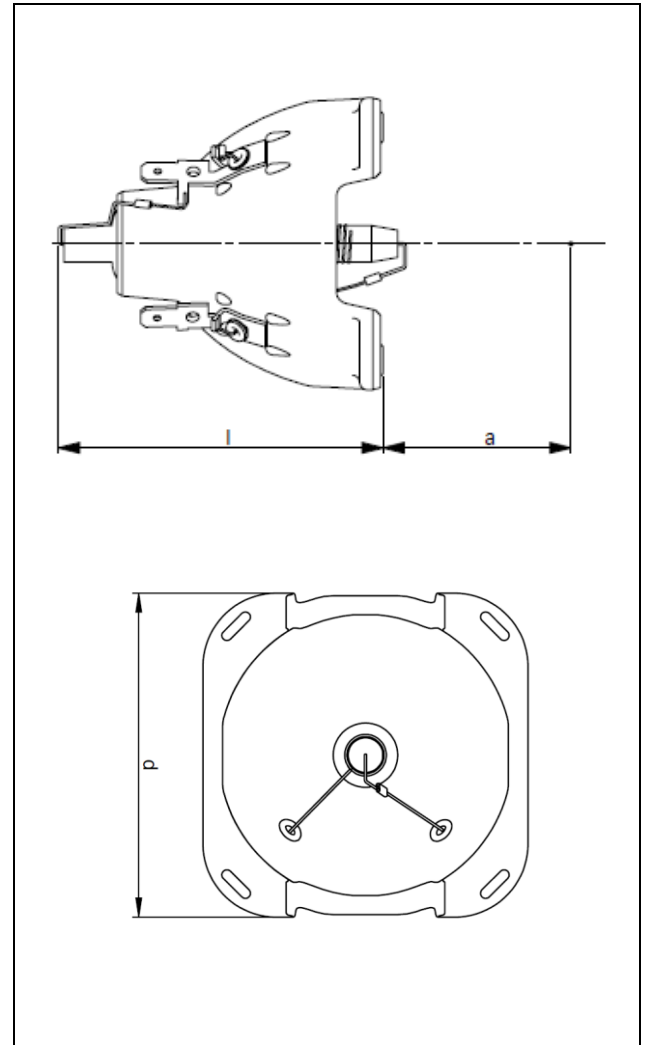
SIRIUS HRI[®] 330W XL

■ Product description

The OSRAM SIRIUS HRI[®] 330W XL with its focusing dichroic reflector is highly efficient and optimized for entertainment fixtures. The distance between the reflector's alignment plane and the second focal point (working distance) is 36mm. Main applications of the SIRIUS HRI[®] 330W XL are moving head projectors.

■ Technical data

Order reference	SIRIUS HRI [®] 330W XL	
Rated lamp wattage	W	330
Rated lamp voltage	V	65
Rated lamp current (square)	A	5
Ignition voltage (cold/hot)	kV _s	2.5
Color temperature	K	7,250
Electrode gap	mm	1.3
Lamp length (overall) l	mm	max. 63
Reflector diameter d	mm	56
Working distance a	mm	36
Average service life	h	1,500
Initial luminous flux	lm	12,000
CRI		71



■ Lamp operation

Burning position any

Electrical connection Tyco FASTON 187 compatible tab terminal, along with threaded screw hole for M3 screw; flat pin connector possible.

Cooling forced cooling required (refer to system specification)

Lamp driver For best luminous efficiency and maintenance results, the SIRIUS HRI[®] 330W should be operated only with accordingly qualified electronic power supplies (e.g. use of OSRAM PT SIRIUS 330, or equivalent ECG).