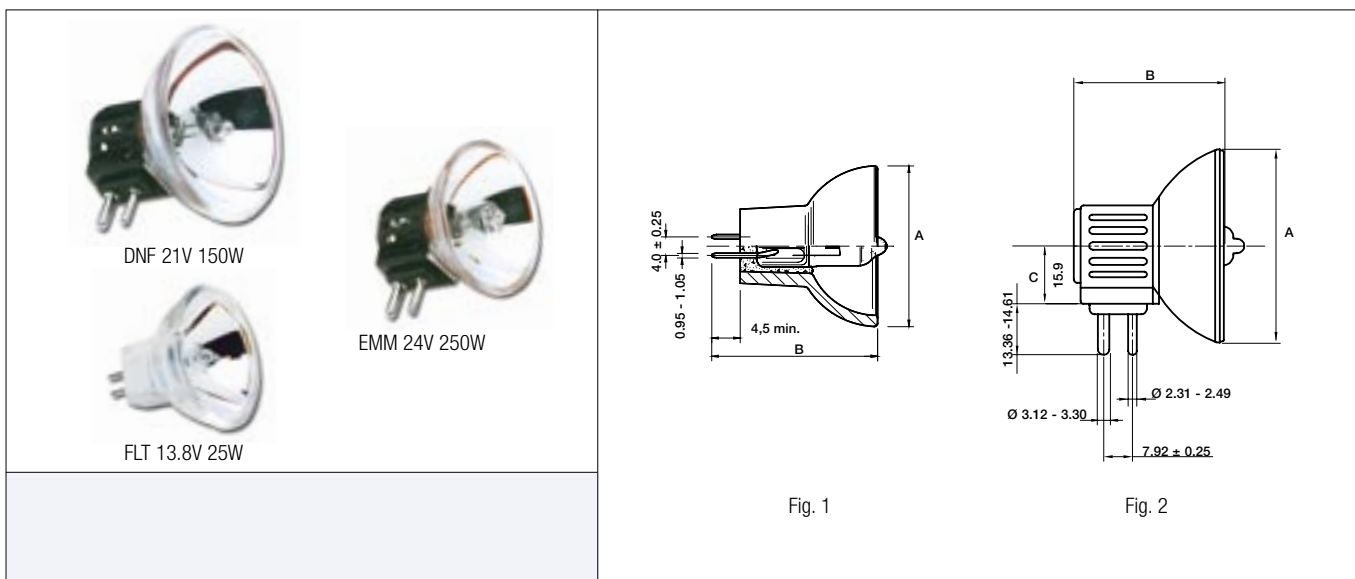


DICHROIC REFLECTOR 35/44/57 mm (MR 11/MR 14/MR 18)



FEATURES	APPLICATIONS	DIRECTIONS FOR USE
<ul style="list-style-type: none"> • Compact filament • Perfect alignment of the burner • Highly efficient reflector/lamp combination • Dichroic reflector, which radiates 75% of the heat backwards 	<ul style="list-style-type: none"> • Film projectors • Microfilm readers • Medical equipment • Enlargers • Overhead projectors • Slide projectors 	<ul style="list-style-type: none"> • No dimming by more than 10% of their rated voltage. This will reduce life considerably • Forced cooling necessary

Item description	ANSI	LIF	Base	Voltage	Watt	Dimensions			Filament Type	Working distance	Colour Temp.	Rated Av. Life
						A	B	C				
				V	W	mm	mm	mm		K	h	
DNF 21V 150W	DNF	A1/266	GX7.9	21	150	57.2	45.1	15.9	CC-6	69.1	3400	25
EMM/EKS 24V 250W	EMM/EKS	A1/258	GX7.9	24	250	44.5	47.5	15.9	CC-6	65.8	3400	50
FLT 13.8V 25W/S	FLT	F/101	GZ4	13.8	25	35.3	35	-	CC-6	81.5	3100	400

Item description	Reflector Surface	Burning Position	Max. perm.	Max. perm.	Min. centre	Corner	Figure Nr.	Packing Quantity	Ordering Code
			pinch temp.	bulb temp.	intensity	centre ratio %			
			C°	C°	lux				
DNF 21V 150W	Smooth	p4	400	900	2100	50	2	10	9060743
EMM/EKS 24V 250W	Smooth	p4	400	900	750	55	2	10	9060918
FLT 13.8V 25W/S	Faceted	S105	350	900	1300	700	1	10	9060877