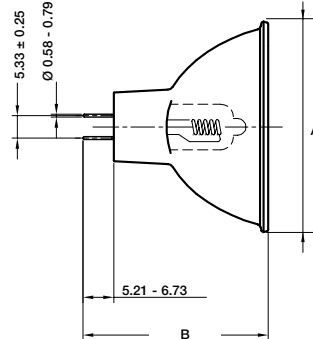


DICHROIC REFLECTOR 50 mm (MR 16) GY5.3



ENH 120V 250W



FEATURES

- Compact filament
- Perfect alignment of the burner
- Highly efficient reflector/lamp combination
- Dichroic reflector, which radiates 75% of the heat backwards

APPLICATIONS

- Microfilm readers
- Medical equipment
- Fiber optic applications
- Enlargers
- Overhead projectors
- Slide projectors

DIRECTIONS FOR USE

- No dimming by more than 10% of their rated voltage. This will reduce life considerably
- Forced cooling necessary

Item description	ANSI	LIF	Base	Voltage	Watt	Dimensions		Filament Type	Working distance	Colour Temp.	Rated Av. Life
						A	B				
				V	W	mm	mm		mm	K	h
EVW 82V 250W	EVW	-	GY5.3	82	250	50.7	44.5	CC-8	298.5	3300	50
ENX 82V 360W	ENX	-	GY5.3	82	360	50.7	44.5	CC-8	298.5	3300	75
FXL 82V 410W	FXL	-	GY5.3	82	410	50.7	44.5	CC-8	298.5	3300	50
JCR 100V 300W	-	-	GY5.3	100	300	50.7	44.5	CC-8	298.5	3200	50
ESD 120V 150W	ESD	-	GY5.3	120	150	50.7	44.5	CC-8	44.5	3350	12
ENH 120V 250W	ENH	-	GY5.3	120	250	50.7	44.5	CC-8	152.4	3250	175
ELH 120V 300W	ELH	-	GY5.3	120	300	50.7	44.5	CC-8	152.4	3350	35
ENG 120V 300W	ENG	-	GY5.3	120	300	50.7	44.5	CC-8	152.4	3450	15

Item description	Reflector Surface	Burning Position	Max. perm.	Max. perm.	Min. centre	Corner	Packing	Ordering
			pinch temp.	bulb temp.	intensity	centre		
			C°	C°	lux	ratio %	Quantity	Code
EVW 82V 250W	Faceted	S90	400	900	1250	40	10	9000017
ENX 82V 360W	Faceted	S90	400	900	4300	25	10	9060846
FXL 82V 410W	Faceted	S90	400	900	4700	34	10	9061768
JCR 100V 300W	Faceted	S90	400	900	5000	20	10	9061063
ESD 120V 150W	Stippled	S90	400	900	350	20	10	9061358
ENH 120V 250W	Faceted	S90	400	900	800	40	10	9060940
ELH 120V 300W	Faceted	S90	400	900	850	45	10	9060813
ENG 120V 300W	Stippled	S90	400	900	1350	35	10	9061183