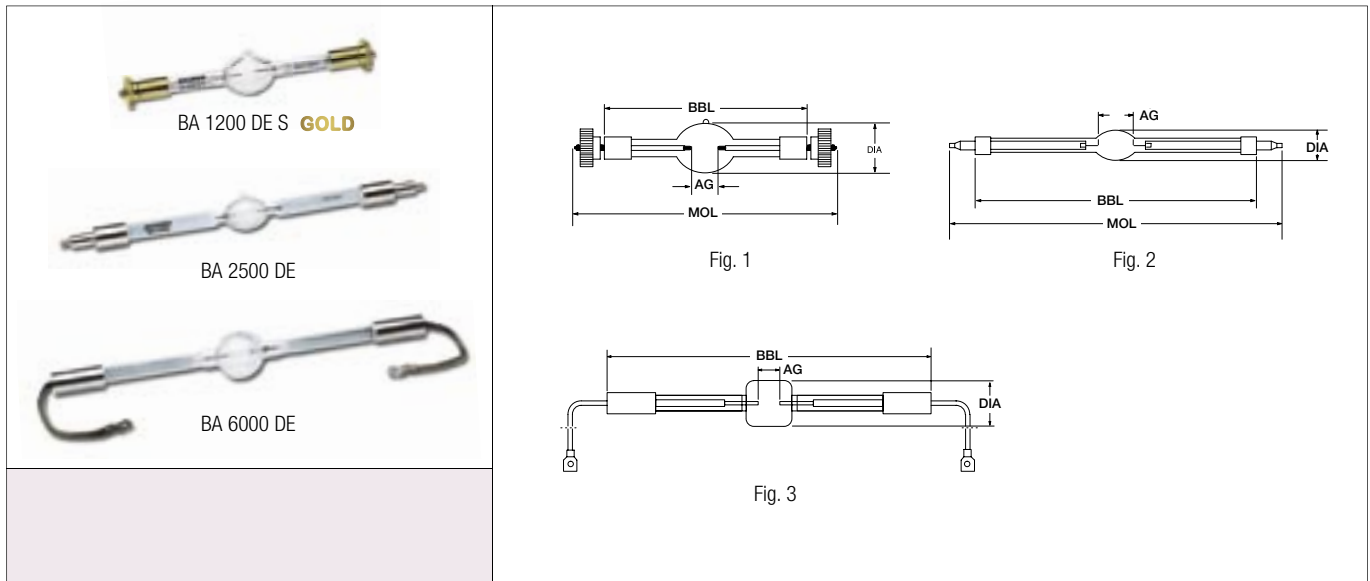


# BRITEARC Double Ended (BA DE)

BriteArc Double Ended lamps are metal halide light sources with excellent performance, specially designed for a wide variety of audio-visual applications. The BriteArc lamps are filled with mercury and rare earth elements to obtain a high efficacy and a stable colour. They can be re-struck at any time with a voltage peak from 25 to 55 kV.



FEATURES	APPLICATIONS	DIRECTIONS FOR USE
<ul style="list-style-type: none"> <li>• High luminous efficacy</li> <li>• Low infrared</li> <li>• Colour stability</li> <li>• Excellent lumen maintenance</li> <li>• Physical ruggedness</li> <li>• Hot restrike</li> <li>• BA 1200 DE S: excellent electrical contact with <b>GOLD</b> plated caps</li> </ul>	<ul style="list-style-type: none"> <li>• Show lighting</li> <li>• Theatre</li> <li>• Discotheque lighting</li> <li>• Follow spots</li> <li>• Effect lighting</li> <li>• Studio lighting</li> </ul>	<ul style="list-style-type: none"> <li>• Burning position: universal for 575W and 1200W; horizontal plus or minus 30 degrees for 2500W; horizontal plus or minus 15 degrees for 4000W, 6000W and 12000W</li> <li>• Only use in closed fixtures</li> <li>• Can be operated on an electronic power supply or on a magnetic ballast</li> </ul>

Item description	Watt W	Voltage V	Current A	Average Life hrs	Replacement Time hrs	Luminous Flux lm	Colour Temp. K	CRI	Total UV-output W
BA 575 DE	575	95	7.0	750	1000	49000	5600	70	70
BA 1200 DE	1200	100	13.8	750	1000	110000	5600	80	140
BA 1200 DE S 6.0 <b>GOLD</b>	1200	100	13.8	750	1000	110000	6000	85	150
BA 1200/2 DE S 7.2 <b>GOLD</b>	1200	100	13.8	750	1000	95000	7200	77	160
BA 2500 DE	2500	115	26.6	500	750	240000	5600	90	310
BA 4000 DE	4000	200	24.0	500	750	380000	6000	85	640
BA 6000 DE	6000	123	55.0	350	450	570000	6000	90	1000
BA 12000 DE	12000	160	82.0	500	550	1100000	6000	90	2200

Item description	Cap	Dimensions				Max. bulb Temp. C°	Max. pinch Temp. C°	Figure Nr.	Packing Quantity	Ordering Code
		MOL mm	AG mm	Dia mm	LCL mm					
BA 575 DE	SFc10-4	136	7	21	115	800	230	1	10	0023921
BA 1200 DE	SFc15.5-6	220	10	28	180	800	230	1	10	0023922
BA 1200 DE S 6.0 <b>GOLD</b>	SFc10-4*	136	7	21	115	800	500 ETP**	1	10	0023995
BA 1200/2 DE S 7.2 <b>GOLD</b>	SFc10-4*	136	7	21	115	800	500 ETP**	1	10	0023996
BA 2500 DE	SFa21-12	355	20.5	32	290	800	230	2	1	0023923
BA 4000 DE	SFa21-12	405	34	40	340	800	230	2	1	0023924
BA 6000 DE	S25.5X60	-	22	52	450	900	230	3	1	0023925
BA 12000 DE	S30X70	-	32	65	470	900	230	3	1	0023927

\* Pre-focused base. Nominal values measured at rated wattage in horizontal position.

\*\* Extreme Temperature Protection. Maximum allowed pinch temperature 500C°.