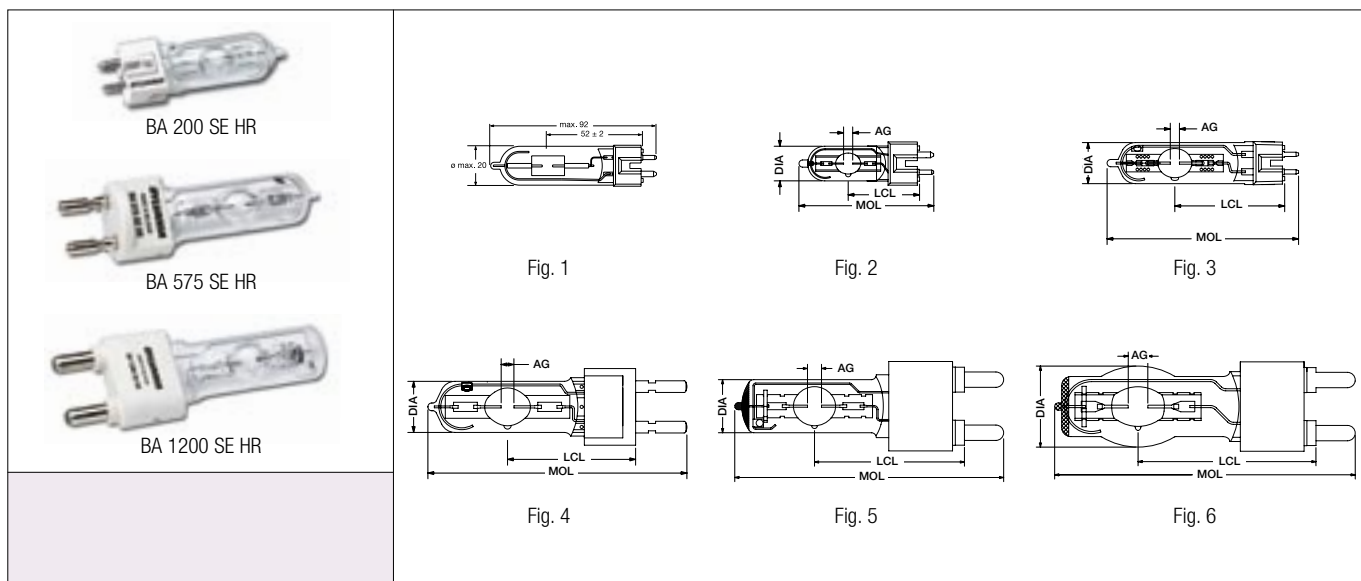


BRITEARC Single Ended Hot Restrike (BA SE HR)

BriteArc Single Ended Hot Restrike lamps are compact light sources, designed for optimum optical efficiency. The BriteArc lamps are filled with mercury and rare earth elements to obtain a high efficacy and a stable colour with a very good rendering index. They can be re-struck at any time with a voltage peak from 25 to 55 kV. These lamps can be operated in any position.



FEATURES

- High luminous efficacy
- Low infrared
- Colour stability
- Excellent lumen maintenance
- Physical ruggedness
- Hot restrike

APPLICATIONS

- TV-Studio lighting
- Photo studios
- Show lighting
- Theatre
- Follow spots

DIRECTIONS FOR USE

- Burning position: universal
- Only use in closed fixtures
- Can be operated on an electronic power supply or on a magnetic ballast

Item description	Watt W	Voltage V	Current A	Ignition Pulse kV	Average Life hrs	Replacement Time hrs	Luminous Flux lm	Colour Temp. K	CRI	Total UV-output W
BA 200 SE HR Ceramic*	200	70	2.7	25.0	750	1000	19000	3200	88	(*)
BA 200 SE HR	200	70	3.3	25.0	200	450	15000	5600	95	20
BA 400 SE HR	400	67	6.9	25.0	650	750	33000	6200	92	40
BA 575 SE HR	575	95	6.9	25.0	750	1000	49000	5600	90	50
BA 800 SE HR*	800	95	8.5	25.0	1000	1500	64000	6000	95	(*)
BA 1200 SE HR	1200	100	13.8	45.0	750	1000	110000	6000	95	100
BA 2500 SE HR	2500	115	25.6	45.0	500	750	240000	6000	95	200
BA 4000 SE HR	4000	200	24.0	50.0	500	750	380000	6300	95	150

Item description	Cap	Dimensions				Max. bulb Temp. C°	Max. pinch Temp. C°	Figure Nr.	Packing Quantity	Ordering Code
		MOL mm	AG mm	Dia mm	LCL mm					
BA 200 SE HR Ceramic*	GZY9.5	92	-	20	52	700	350	1	10	0023940
BA 200 SE HR	GZY9.5	80	5	20	39	700	350	2	10	0023941
BA 400 SE HR	GZZ9.5	110	6	23	60	700	350	3	10	0023883
BA 575 SE HR	G22	145	7	30	70	700	350	4	10	0023932
BA 800 SE HR*	G22	145	7	31	70	700	350	4	10	0023992
BA 1200 SE HR	G38	200	10	40	107	700	350	5	10	0023933
BA 2500 SE HR	G38	240	14	60	127	700	450	6	1	0023934
BA 4000 SE HR	G38	250	20	75	142	700	450	6	1	0023937

* BA 200 SE HR Ceramic and BA 800 SE HR are UV-stop lamps. Nominal values measured at rated wattage in horizontal position.