

SIG 64004

SIRIUS | Low-voltage halogen lamps with dichroic reflector, road traffic



- Road and rail traffic signals

Product benefits

- Fixed adjustment of halogen tube to reflector provides high luminous intensity
- Nearly constant luminous intensity due to high quality reflector coating
- Very long life due to the halogen tube

Product features

- Connecting cables equipped with contacts/insulation widely resistant to corrosion and heat

Technical data

Electrical data

Test voltage	10 V
Nominal wattage	50 W
Nominal voltage	10 V

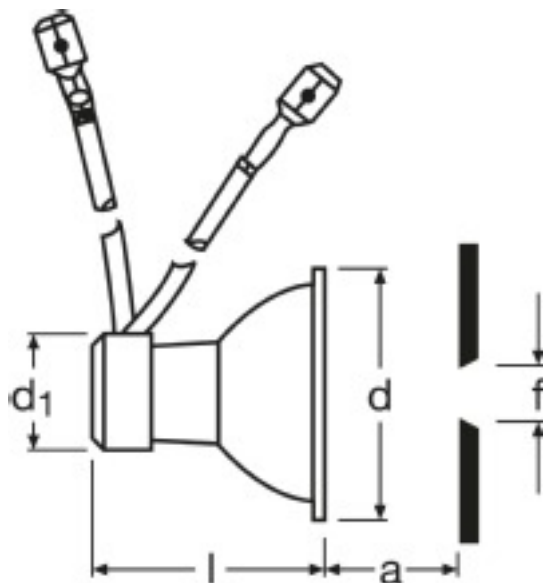
Light technical data

Nominal luminous flux	350 lm
Luminous flux	350 lm ¹⁾
Focal length	42.0 mm
Aperture window, maximum	10.2 mm

¹⁾ Measured behind the aperture of 10.2 mm Ø = W fiber bundle

Dimensions & weight

Diameter	51.0 mm
Overall length	46.5 mm
Cable length	105.0 mm
Base diameter	24.5 mm



Product line drawing

Lifespan

Nominal lamp life time	2000 h
------------------------	--------

Additional product data

Base (standard designation)	K23d
-----------------------------	------

Capabilities

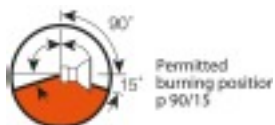
Burning position	p90
------------------	-----

Country specific categorizations

Order reference	64004
-----------------	-------

Safety advice

All halogen signal lamps operate at high temperature and pressure. They may therefore only be operated in signal equipment/fixtures specially designed for the purpose. Make sure that the lamps are protected against moisture during operation and in particular during relamping.



Burning position

Logistical Data

Product code	Packaging unit (Pieces/Unit)	Dimensions (height x width x length)	Gross weight	Volume
4050300245225	Folding carton box 1	52 mm x 52 mm x 53 mm	46.60 g	0.14 dm ³
4050300245232	Shipping carton box 10	114 mm x 63 mm x 268 mm	516.00 g	1.92 dm ³

Disclaimer

Subject to change without notice. Errors and omission excepted. Always make sure to use the most recent release.