

**Product selected: SHP-TS 400W GroLux**

Tubular, clear high pressure sodium lamps with improved characteristics and performance, especially developed for supplementary lighting in greenhouses.

**Applications**

- Horticultural lighting
- Supplementary lighting in greenhouses

**Features**

- Extreme high light output
- Improved quality of light : Increased red and blue light output
- 10% higher photosynthesis flux when compared to SHP Super
- High PAR radiation

**Directions for use**

- Universal burning
- Open fixture rating
- External ignitor : Restricted to super imposed ignitor for 600W

**Product Attributes**

<b>Item description</b>	SHP-TS 400W GroLux
<b>Ordering Code</b>	0020807
<b>EAN code</b>	5410288208077
<b>Packing Quantity</b>	12
<b>Wattage (W)</b>	425
<b>Voltage (V)</b>	120
<b>Cap</b>	E40
<b>Max. Over. Length (mm)</b>	292
<b>Diameter (mm)</b>	48
<b>Light output (lm)</b>	58000
<b>Current (A)</b>	4.0
<b>Colour Temp (K)</b>	2050

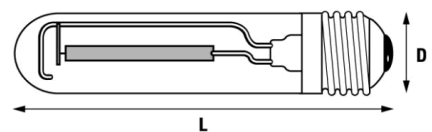
**Product Image**



**Fixture Rating**

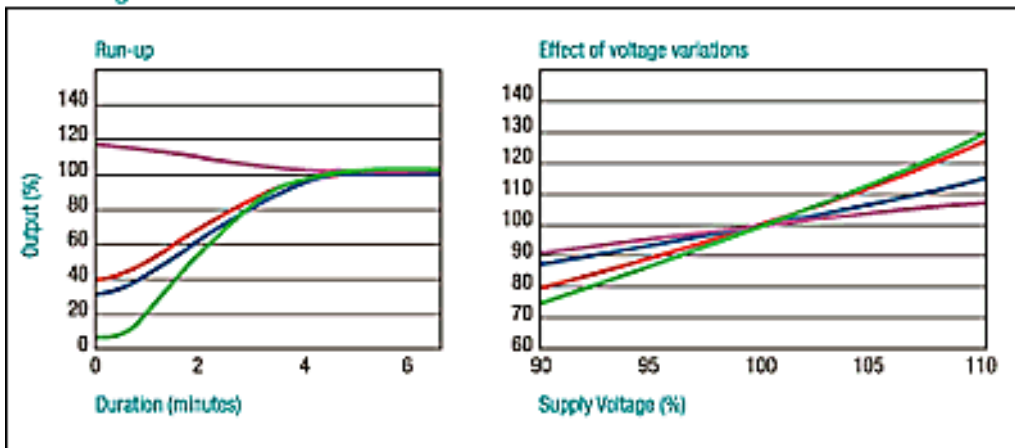


**Line Drawing**



## Run-up Characteristics

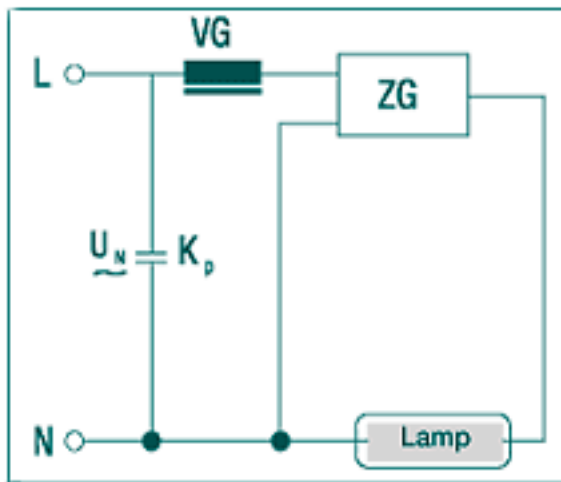
### High Pressure Sodium



Re-start time when hot  
 Twinarc, SBY: Immediate re-start  
 Standard, Super & MF: up to 1 minute

- Lamp Voltage
- Lamp Current
- Lamp Power
- Luminous Flux

## Circuit Diagram



- L Live conductor L<sub>1</sub>, L<sub>2</sub>, L<sub>3</sub>
- N Neutral conductor
- U<sub>N</sub> power supply voltage 230V~  
(400V~ for HSI-T 2000V)
- VG ballast
- K<sub>p</sub> lead capacitor
- ZG start-up system
- K<sub>z</sub> start-up capacitor
- ST stray field transformer
- CWA constant wattage autotransformer