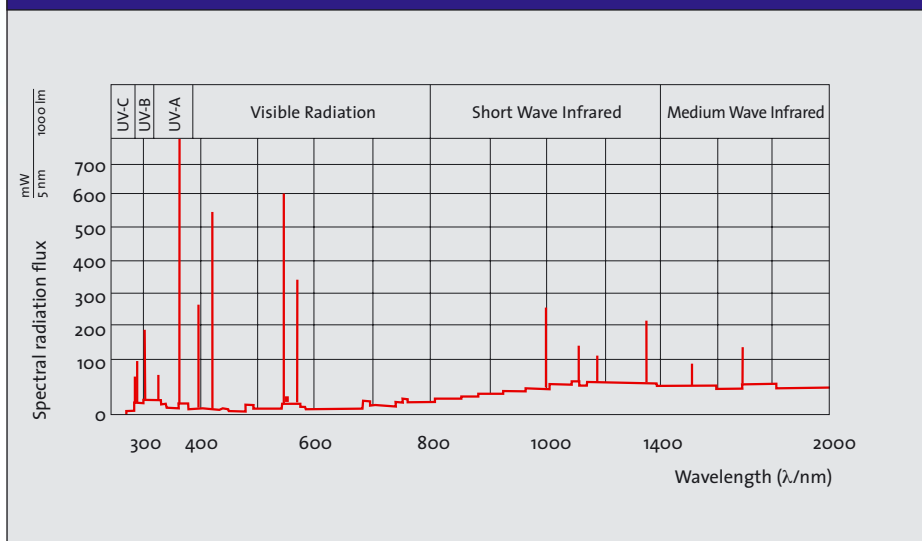


ULTRAVIOLET

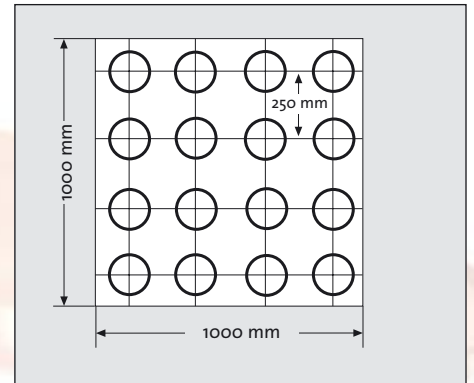
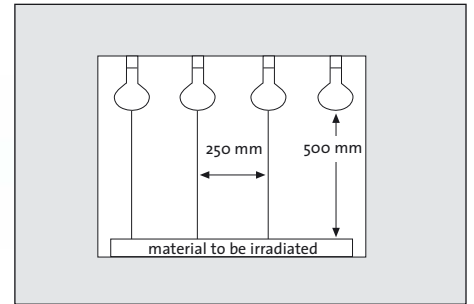
Radium Lampenwerk · Sales UV/IR
Tel. +49 (0) 22 67 / 81-287 · Fax +49 (0) 22 67 / 81-485 · www.radium.de **Radium**

Specification

Spectral Radiation Distribution



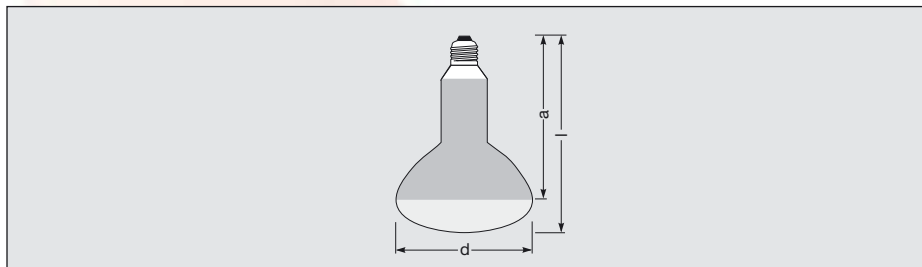
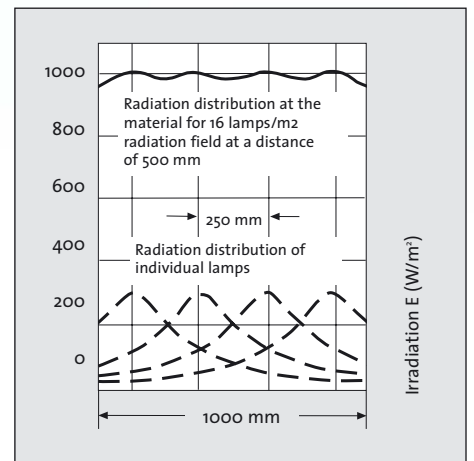
Test Field with 16 Sanolux Lamps



Illuminance and Irradiance of the Sanolux Lamp

(Distance = 0.5 m)

Operating Time	Illuminance	UVB	UVA	Visible
h	lx	280-315 nm W/m ²	315-400 nm W/m ²	380-780 nm W/m ²
1	14400	3.0	13.6	41.4
500	13700	1.8	11.0	39.0
1000	10800	1.1	7.3	29.7



- Product Number
- Order Code
- Base
- Wattage, W
- Angle of Radiation
- Dimension l, mm
- Installed Length a, mm
- Diameter d, mm
- Box Quantity, pcs.
- Mains Voltage, V
- Operating Position
- Ignitor
- Economic Lifetime, h

Sanolux UV high pressure lamp

323 12198	HRC 300-280 E27	E27	300	30°	185	150	127	6	230	any	not required	1000
-----------	-----------------	-----	-----	-----	-----	-----	-----	---	-----	-----	--------------	------

The lamp specification sheet is available on request.