



# InfraRed Healthcare Heat Incandescent

R95 IR 100W E27 230V Red 1CT

Philips infrared lamps for healthcare and bodycare applications are designed for treating deep-seated muscular ailments and sports injuries. These incandescent reflector lamps are an excellent solution to provide localized heat treatment to relieve muscular pain. They can also be used to treat rheumatic ailments. This form of heat therapy has also been shown to speed the healing of different kinds of injuries such as sports injuries and non-infected wounds, in many cases providing rapid and effective pain relief. The benefits of this form of heat therapy are based on locally enhanced blood circulation in the skin caused by vasodilatory response. This results in an increased transport rate of metabolites and other essential biochemical compounds. Benefits are also gained by deeper penetration of heat, which provides a gentle, pleasant warming effect.

## Product data

### • General Characteristics

|                    |                            |
|--------------------|----------------------------|
| Cap-Base           | E27                        |
| Bulb               | R95 [R 95mm]               |
| Bulb Material      | Soft Glass                 |
| Bulb Finish        | Red                        |
| Operating Position | any [Any or Universal (U)] |
| Main Application   | Infrared Health            |
| Nominal Lifetime   | 300 hr                     |

### • Electrical Characteristics

|              |       |
|--------------|-------|
| Lamp Wattage | 100 W |
| Voltage      | 230 V |
| Dimmable     | Yes   |

### • Product Dimensions

|                  |              |
|------------------|--------------|
| Overall Length C | 130 (max) mm |
|------------------|--------------|

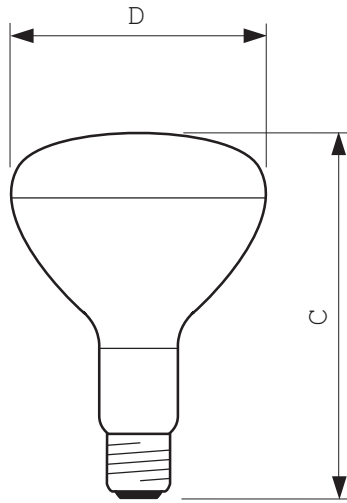
Diameter D 95 mm

### • Product Data

|                             |                                 |
|-----------------------------|---------------------------------|
| Order code                  | 923244244208                    |
| Full product code           | 923244244208                    |
| Full product name           | R95 IR 100W E27 230V Red 1CT    |
| Order product name          | R95 IR 100W E27 230V Red 1CT/25 |
| Pieces per pack             | 1                               |
| Packing configuration       | 25                              |
| Packs per outerbox          | 25                              |
| Bar code on pack - EAN1     | 8711500145598                   |
| Bar code on outerbox - EAN3 | 8711500125491                   |
| Logistic code(s) - 12NC     | 923244244208                    |
| Net weight per piece        | 53.300 gr                       |

## Dimensional drawing

## Dimensional drawing



### R95 IR 100W E27 230V Red UNP

| Product                  | C (Min) | C (Norm) | C (Max) | C1 (Min) | C1 (Norm) | C1 (Max) | D (Min) | D (Norm) | D (Max) |
|--------------------------|---------|----------|---------|----------|-----------|----------|---------|----------|---------|
| R95 IR 100W E27 230V Red | -       | -        | 130     | -        | -         | -        | -       | 95       | -       |



E27



© 2013 Koninklijke Philips Electronics N.V.  
All rights reserved.

Specifications are subject to change without notice. Trademarks are the property of Koninklijke Philips Electronics N.V. or their respective owners.

[www.philips.com/lighting](http://www.philips.com/lighting)

2013, May 17  
data subject to change