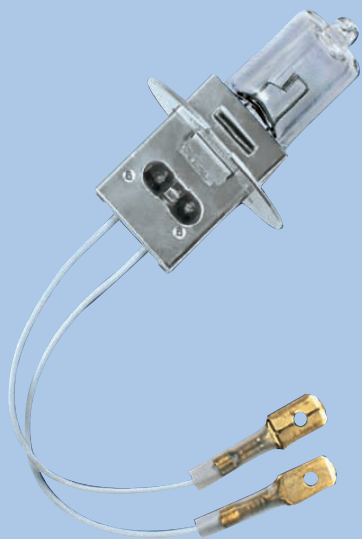


Halogen airfield lamps – Prefocus (Pk), cable connection



Prefocus Pk

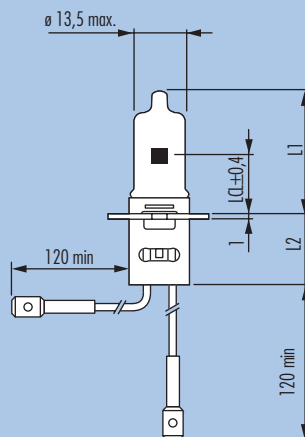


Fig. 1

Dimension in mm

Type	L1 max.in mm	L2 max.in mm
6303	37	21
6115	41	17
6130	28	27
6131	28	27
6132	32	23
6133	32	23
6304	32	21
6125	32	21
6312	41	17
6116	41	17
6120	32	23
6121	32	23
6122	32	23
6118	35	23
6392	35	23
6313	41	21
6117	41	21
6139	41	21

Technical and ordering data

Type	Current A	Wattage W	Base	Connector	Luminous flux Lm	Average life hrs.	LCL mm	Filament	Fig.	Ordering number
6303	6,6	45	Pk30d	male	800	1000	16	C-8	I	9246 006 859
6303LL	6,6	45	Pk30d	male	800	2000	16	C-8	I	9230 754 859
6115	6,6	45	Pk30d	male	800	1000	20	C-8	I	9230 172 859
6130	6,6	45	PKX30d	female	800	1000	16	C-8	I	9230 181 859
6131	6,6	45	PKX30d	male	800	1000	16	C-8	I	9230 182 859
6132	6,6	45	PKX30d	female	800	1000	20	C-8	I	9230 183 859
6133	6,6	45	PKX30d	male	800	1000	20	C-8	I	9230 184 859
6304	6,6	65	PKX30d	male	1450	1000	20	CBAR-6	I	9230 170 859
6125	6,6	65	PKX30d	female	1450	1000	20	CBAR-6	I	9230 185 859
6125LL	6,6	65	PKX30d	female	1450	2000	20	CBAR-6	I	9230 755 859
6312	6,6	100	Pk30d	male	2400	1000	20	CBAR-6	I	9246 007 859
6116	6,6	100	Pk30d	male	2700	1000	20	CBAR-6	I	9230 175 859
6116LL	6,6	100	Pk30d	male	2700	2000	20	CBAR-6	I	9230 756 859
6120	6,6	100	PKX30d	female	2400	1000	20	CBAR-6	I	9230 178 859
6121	6,6	100	PKX30d	female	2700	1000	20	CBAR-6	I	9230 179 859
6122	6,6	100	PKX30d	male	2700	1000	20	CBAR-6	I	9230 180 859
6118	6,6	150	PKX30d	female	3600	1000	20	CBAR-6	I	9230 177 859
6392	6,6	150	PKX30d	male	3600	1000	20	CBAR-6	I	9230 174 859
6392LL	6,6	150	PKX30d	male	3600	2000	20	CBAR-6	I	9230 757 859
6313	6,6	200	Pk30d	male	4400	1000	20	CC-6	I	9246 008 859
6117	6,6	200	Pk30d	male	4800	1000	20	CC-6	I	9230 176 859
6139	6,6	200	Pk30d	female	4800	1000	20	CC-6	I	9230 764 859

Remark: Pk30d and Pkx30d base is full interchangeable
Bold marked types are Long Life lamps