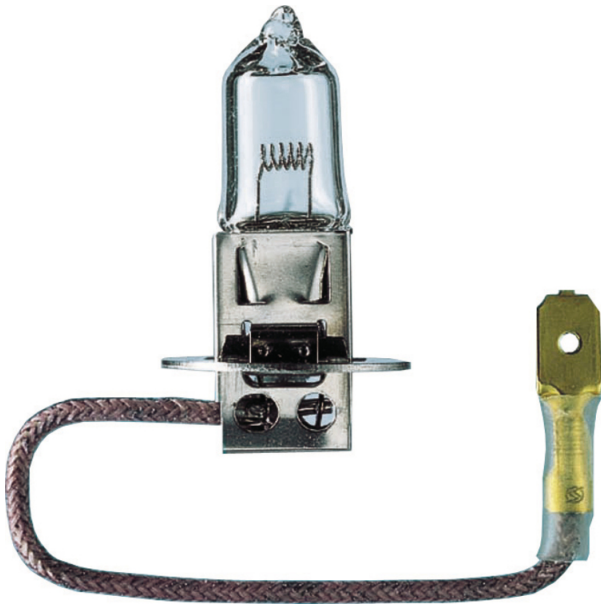


Traffic Halogen Single Ended

Traffic Halogen 6611 35W PKX22s 10V 1CT

Compact halogen traffic signalling lamp



Product data

• General Characteristics

Philips Code	6611
LIF Code	M35
Cap-Base	PKX22s
Bulb	T4 [T4: .434 inch / 11mm]
Bulb Finish	-
Operating Position	p [Parallel or Horizontal(HOR)]
Gas Filling	KR/CH2/BR2/CH3]
Life to 50% failures	5500 hr

• Light Technical Characteristics

Luminous flux lamp	525 Lm
--------------------	--------

• Electrical Characteristics

Lamp Wattage	35 W
Voltage	10 V

• Luminaire Design Requirements

Cap-Base Temperature	350 (max) C
Bulb Temperature	750 (max) C

• Product Dimensions

Overall Length C	42 (max) mm
------------------	-------------

Diameter D	11.5 (max) mm
Light Center Length L	18 mm
Cable Length X	280 mm

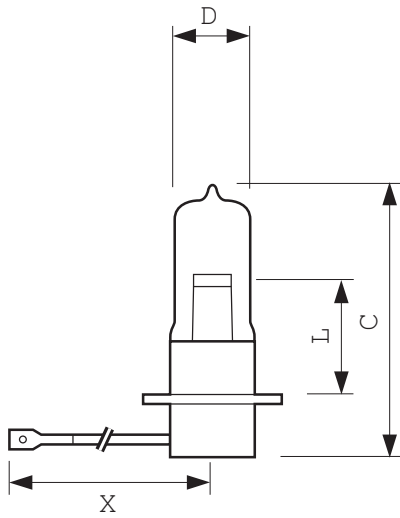
• Product Data

Order code	923893215802
Full product code	923893215802
Full product name	Traffic Halogen 6611 35W PKX22s 10V 1CT
Order product name	Tf Hal 6611 35W PKX22s 10V 1CT/10X10F
Pieces per pack	1
Packing configuration	10X10F
Packs per outerbox	100
Bar code on pack - EAN1	8711500405036
Bar code on intermediate packing - EAN2	8711500050731
Bar code on outerbox - EAN3	8711500471871
Logistic code(s) - 12NC	923893215802
ILCOS code	HST-35-10-PKX22s
Net weight per piece	8.700 gr

PHILIPS

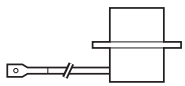
sense and simplicity

Dimensional drawing



PKX22s, T11

Product	C (Max)	D (Max)
TRAF HAL 6611 35W PKX22s 10V T11	42	11.5



PKX22s



© 2011 Koninklijke Philips Electronics N.V.
All rights reserved.

Specifications are subject to change without notice. Trademarks are the property of Koninklijke Philips Electronics N.V. or their respective owners.

www.philips.com/lighting

2011, December 21
data subject to change