



## TUV PL- S 9W/4P 1CT

Product family description  
Compact single-ended low-pressure  
mercury vapour discharge lamps

### Product Features

- Emit short-wave UV radiation with a peak at 253.7 nm (UV- C) for germicidal action
- Lamp glass filters out the 185 nm ozone- forming line
- Protective inside coating limits depreciation of useful UV- C output
- PL- S lamp base contains a special starter for almost instant starting
- Warning sign on lamp indicates UV- C radiation output

### Application

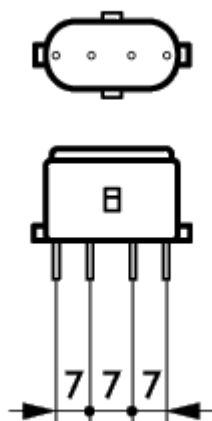
- Killing or inactivating bacteria, viruses and other primitive organisms
- Air, water and surface disinfection in hospitals, bacteriological research and pharmaceutical environments, and food processing industries such as dairies, breweries and bakeries
- Disinfection of drinking water, waste water, swimming pools, air conditioning systems, cold storage rooms, packing materials etc.
- Used in a variety of photochemical processes

Product data	
Order code	710833 80
Full product code	871150071083380
Full product name	TUV PL- S 9W/4P 1CT
Order product name	TUV PL- S 9W/4P 1CT/6X10BOX
Packing type	1 Carton
Pieces per pack	1
Packing configuration	6X10BOX
Packs per outerbox	60
Bar code on pack - EAN1	8711500710833
Bar code on intermediate packing - EAN2	8711500710840
Bar code on outerbox - EAN3	8711500710864
Logistic code(s) - 12NC	9279 019 04007
ILCOS code	
Net weight per piece	30.000 GR

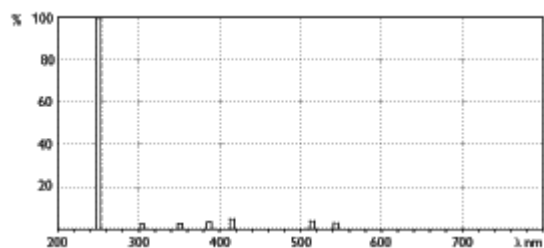
Product data	
Successor order code	
Cap- Base	2G7
Cap- Base Information	4 Pins
Bulb	2xT12
Execution	4 Pins
Main Application	Disinfection
Name Extension	PL- S
Packing Type	1CT [1 Carton]
Packing Configuration	6X10BOX
Useful Life	8000 hr
Life to 50% failures EM	8000 hr
Product Nett Weight	41 gr
Rated Lamp Wattage	9W
Technical Lamp Power	8.6 W
Lamp Voltage	60 V
Lamp Current	0.17 A
Colour Code	TUV
Colour Designation (text)	-
UV- C Radiation	2.3 W



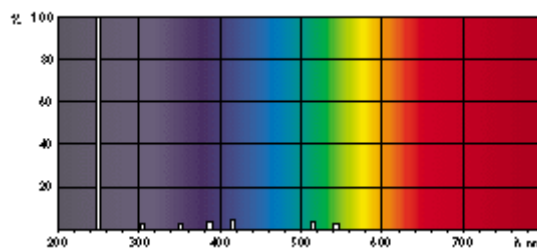
TUV PL- S 2G7



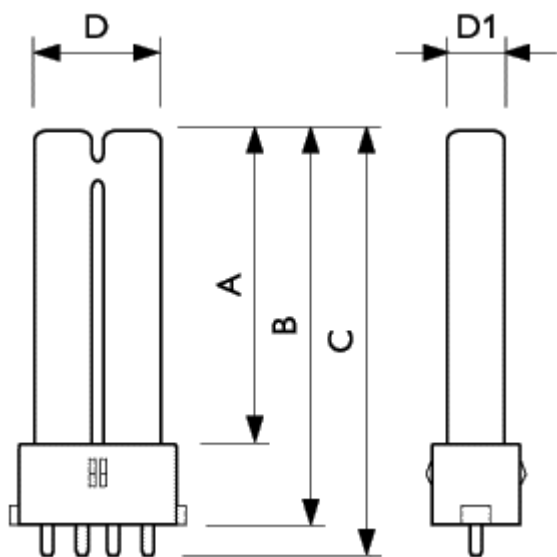
Cap- Base 2G7



TUV PL- S



TUV PL- S



TUV PL-S 2G7

	A	B	C	D	D1
Full product name	Max	Max	Max	Max	Max
TUV PL-S 9W/4P 1CT	129	144.5	167.5	28	13

