



MASTER PL-S 2 Pin

MASTER PL-S 7W/827/2P 1CT

MASTER PL-S is an efficient low-wattage compact fluorescent lamp, typically used for decorative and orientation purposes. The original Philips-invented bridge technology guarantees optimum performance in the application, enabling more light and higher efficacy than the bended technology. The 2-pin version is designed for operation on electromagnetic gear and is provided with a plug-in/pull-out lamp base.

Product data

• General Characteristics

Cap-Base	G23 [Two-Pin Compact Fluorescent; low preheat current; two retainers]
Cap-Base Information	2P
Life to 50% failures EM	10000 hr
Life to 10% failures EM	6500 hr
LSF EM 8000h Rated, 3h cycle	86 %
LSF EM 6000h Rated, 3h cycle	95 %
LSF EM 4000h Rated, 3h cycle	98 %
LSF EM 2000h Rated, 3h cycle	99 %

• Light Technical Characteristics

Color Code	827 [CCT of 2700K]
Color Rendering Index	82 Ra8
Color Designation (text)	Incandescent White
Color Temperature	2700 K
Chromaticity Coordinate X	455 -
Chromaticity Coordinate Y	417 -
Lum Efficacy Rated EM 25°C	57 Lm/W
LLMF EM 8000h Rated	86 %
LLMF EM 6000h Rated	89 %
LLMF EM 4000h Rated	91 %

LLMF EM 2000h Rated	94 %
Luminous Flux EM 25°C, Rated	405 Lm
Luminous Flux EM 25°C, Nominal	400 Lm
Design Temperature	28 C

• Electrical Characteristics

Lamp Wattage	7 W
Dimmable	No
Lamp Current EM 25°C	0.175 A
Lamp Wattage EM 25°C, Rated	7.1 W
Lamp Wattage EM 25°C, Nominal	7 W
Lamp Voltage EM 25°C	47 V

• Environmental Characteristics

Energy Efficiency Label (EEL)	B
Mercury (Hg) Content	1.4 mg

• Product Dimensions

Base Face to Base Face A	97 (max) mm
Insertion Length B	113 (max) mm
Overall Length C	135 (max) mm
Diameter D	28 (max) mm
Diameter D1	13 (max) mm



MASTER PL-S 2 Pin

• Product Data

Order code 927935682711
 Full product code 927935682711
 Full product name MASTER PL-S 7W/827/2P 1CT
 Order product name MASTER PL-S 7W/827/2P 1CT/
 5X10BOX
 Pieces per pack 1
 Packing configuration 5X10CC
 Packs per outerbox 50
 Bar code on pack - EAN1 8711500260574

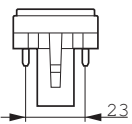
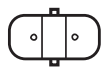
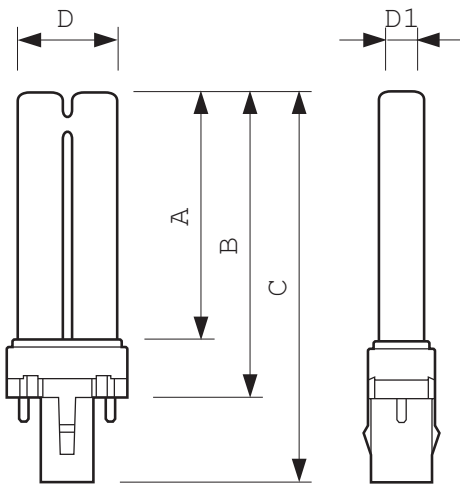
Bar code on intermediate packing - EAN2 8711500260581
 Bar code on outerbox - EAN3 8711500260598
 Logistic code(s) - 12NC 927935682711
 ILCOS code FSD-7/27/1B-I-G23
 Net weight per piece 26.000 gr

Warnings and Safety

- Use only with electromagnetic control gear
- Lamp light technical and electrical characteristics are influenced by operating conditions, i.e. lamp ambient temperature and operating position

- Dimming is not possible

Dimensional drawing

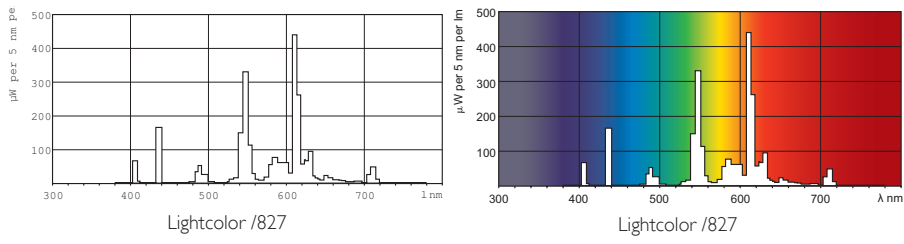


G23

G23/GX23, 2P

Product	A (Max)	B (Max)	C (Max)	D (Max)	D1 (Max)
PL-S 7W/827/2P LM	97	113	135	28	13

Photometric data



© 2012 Koninklijke Philips Electronics N.V.
All rights reserved.

Specifications are subject to change without notice. Trademarks are the property of Koninklijke Philips Electronics N.V. or their respective owners.

www.philips.com/lighting

2012, April 10
data subject to change