

# Halogen Low Voltage

13163 ELC/5H 250W GX5.3 24V 1CT



The long lifetime of most of the Halogen Low Voltage lamps is further extended by the unique P3 technology developed by Philips. This allows the lamp to be used at higher temperatures, thereby extending the lamp's lifetime, reducing early failures, and resulting in fewer maintenance man hour costs. P3 also ensures consistency of high-quality light output, and allows the lamp to be used in any burning position, which enables more compact fixture designs. In addition, the compact filament produces a clean white light and high beam intensity for true natural colors on stage and without any hotspots.

## Product data

### • General Characteristics

Philips Code	13163
ANSI Code	ELC/5H
LIF Code	-
Cap-Base	GX5.3
Bulb	R50
Bulb Material	Quartz-UV Open
Reflector Finish	Smooth
Operating Position	s90
Main Application	Projection
Life to 50% failures	500 hr

### • Light Technical Characteristics

Color Rendering Index	100 Ra8
Color Temperature Technical	3400 K

### • Electrical Characteristics

Lamp Wattage	250 W
Voltage	24 V
Lamp Voltage	24 V
Dimmable	Yes

### • Luminaire Design Requirements

Pinch Temperature	400 (max) C
-------------------	-------------

Bulb Temperature	900 (max) C
Working Distance WD	32 mm

### • Product Dimensions

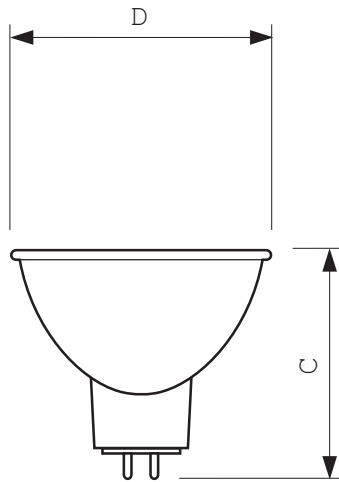
Overall Length C	44.5 (max) mm
Diameter D	50 (max) mm
Filament Dimensions (WxH) [mm]	-

### • Product Data

Order code	924862720540
Full product code	924862720540
Full product name	13163 ELC/5H 250W GX5.3 24V 1CT
Order product name	13163 ELC/5H 250W GX5.3 24V 1CT/24
Pieces per pack	1
Packing configuration	24
Packs per outerbox	24
Bar code on pack - EAN1	8711500413475
Bar code on outerbox - EAN3	8711500435736
Logistic code(s) - 12NC	924862720540
Net weight per piece	24.000 gr

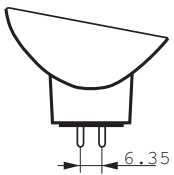
## Dimensional drawing

## Dimensional drawing



### 13163 ELC/5H 250W GX5.3 24V 1CT

Product	C (Max)	D (Max)	L (Min)	L (Norm)	L (Max)
ELC/5H 250W GX5.3 24V	44.5	50	-	-	-



GX5.3



© 2013 Koninklijke Philips Electronics N.V.  
All rights reserved.

Specifications are subject to change without notice. Trademarks are the property of Koninklijke Philips Electronics N.V. or their respective owners.

[www.philips.com/lighting](http://www.philips.com/lighting)

2013, May 16  
data subject to change