

Halogen reflector

6853 FO 75W GZ6.35 12V 1CT



Philips' halogen reflector lamps offer the ideal no-fuss solution for a wide variety of medical, projection and scientific illumination systems. Their proven reliability makes them ideal for retrofit installations. The burners are precisely aligned for optimal light performance. Dichroic reflectors ensure heat dissipation towards the back of the optical system, which helps the optical system remain within temperature limits. A special blue-filter version blocking out unwanted light above 700 nm is available for dental curing applications. In addition, you get all the proven advantages of halogen technology such as a CRI of 100 – the same as natural sunlight for the best possible color rendering. Halogen lamps also create a comfortable warm white light, and they maintain their high lumen output with almost no lumen reduction throughout their lifetime.

Product data

• General Characteristics

Philips Code	6853 FO
ANSI Code	-
J Code	-
LIF Code	-
Cap-Base	GZ6.35
Cap-Base Information	-
Bulb	R50
Bulb Material	Quartz-UV Open
Reflector Finish	-
Filament Shape	-
Operating Position	s115
Main Application	Projection
Life to 50% failures	50 hr

• Light Technical Characteristics

Color Rendering Index	100 Ra8
Color Temperature Technical	3400 K

• Electrical Characteristics

Watts	75 W
Voltage	12 V
Dimmable	Yes

• Luminaire Design Requirements

Pinch Temperature	400 (max) C
Bulb Temperature	900 (max) C
Working Distance WD	32 mm

• Product Dimensions

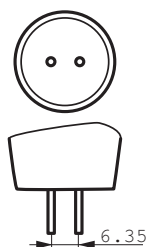
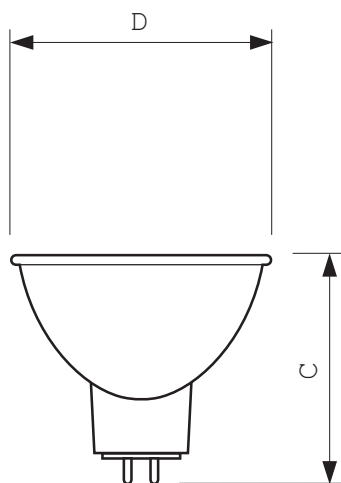
Overall Length C	42 (max) mm
Diameter D	50 (max) mm
Filament Dimensions (WxH) [mm]	-

• Product Data

Product number	315028
Full product name	6853 FO 75W GZ6.35 12V 1CT
Short product name	6853 FO 75W GZ6.35 12V 1CT/10X5F
Pieces per Sku	1
eop_pck_cfg	10X5F
Skus/Case	50
Bar code on pack	8711500409744
Bar code on intermediate pack	8711500419385
Bar code on case	8711500419378
Logistics code(s)	924048617104
eop_net_weight_pp	23.300 gr

Dimensional drawing

Dimensional drawing



GZ6.35

6853 FO 75W GZ6.35 12V 1CT

Product	C (Max)	D (Max)	L (Min)	L (Norm)	L (Max)
6853 FO 75W GZ6.35 12V	42	50	-	-	-



© 2013 Koninklijke Philips Electronics N.V.
All rights reserved.

Specifications are subject to change without notice. Trademarks are the property of Koninklijke Philips Electronics N.V. or their respective owners.

www.philips.com/lighting

2013, May 25
data subject to change