

Halogen reflector

13861 FO 42W GZ6.35 12V 1CT



Philips' halogen reflector lamps offer the ideal no-fuss solution for a wide variety of medical, projection and scientific illumination systems. Their proven reliability makes them ideal for retrofit installations. The burners are precisely aligned for optimal light performance. Dichroic reflectors ensure heat dissipation towards the back of the optical system, which helps the optical system remain within temperature limits. A special blue-filter version blocking out unwanted light above 700 nm is available for dental curing applications. In addition, you get all the proven advantages of halogen technology such as a CRI of 100 – the same as natural sunlight for the best possible color rendering. Halogen lamps also create a comfortable warm white light, and they maintain their high lumen output with almost no lumen reduction throughout their lifetime.

Product data

• General Characteristics

Philips Code	13861 FO
ANSI Code	-
LIF Code	-
Cap-Base	GZ6.35
Bulb	R50
Bulb Material	Quartz-UV Open
Operating Position	s90
Main Application	Projection
Life to 50% failures	4000 hr

• Light Technical Characteristics

Color Rendering Index	100 Ra8
Color Temperature Technical	2900 K

• Electrical Characteristics

Lamp Wattage	42 W
Voltage	12 V
Lamp Current	3.5 A
Dimmable	Yes

• Luminaire Design Requirements

Pinch Temperature	350 (max) C
Bulb Temperature	900 (max) C

Working Distance WD	30 mm
---------------------	-------

• Product Dimensions

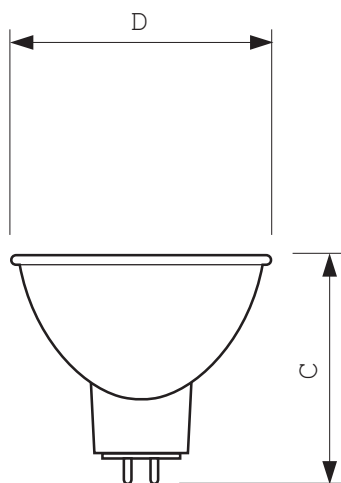
Overall Length C	42 (max) mm
Diameter D	50 (max) mm

• Product Data

Order code	924030617102
Full product code	924030617102
Full product name	13861 FO 42W GZ6.35 12V 1CT
Order product name	13861 FO 42W GZ6.35 12V 1CT/ 10X5F
Pieces per pack	1
Packing configuration	10X5F
Packs per outerbox	50
Bar code on pack - EAN1	8711500410856
Bar code on intermediate packing - EAN2	8711500422439
Bar code on outerbox - EAN3	8711500422446
Logistic code(s) - 12NC	924030617102
Net weight per piece	25.000 gr

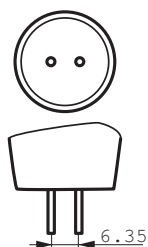
Dimensional drawing

Dimensional drawing



13861 FO 42W GZ6.35 12V 1CT

Product	C (Max)	D (Max)
13861 FO 42W GZ6.35 12V	42	50



GZ6.35



© 2013 Koninklijke Philips Electronics N.V.
All rights reserved.

Specifications are subject to change without notice. Trademarks are the property of Koninklijke Philips Electronics N.V. or their respective owners.

www.philips.com/lighting

2013, May 9
data subject to change